

INMOTION 220 260 SERIES

Industrial radio remote control



CERTIFICATED
ISO9001
R&TTE
CE
LVD
RSS210
FCC

INMOTION 220 260 SERIES

© 220: 4 pushbuttons with 2-steps (UP, DOWN, EAST, WEST)+EMS+Start Key

© 260: 6 pushbuttons with 1-step (UP, DOWN, EAST, WEST, SOUTH, NORTH)+EMS+Start Key

1. Durable, robust IP 65 industrial casing .
2. New light weight (0.6 lbs.) user friendly design.
3. Advanced RF circuitry design with over 4 billion ID codes.
4. Exceptionally low Power Consumption - up to 3 months usage with 2 AA batteries.
5. Error free Hamming code technology.
6. Working temperature range from -49° to +176° F.
7. Long distance operation up to 300+ feet.
8. Purposely designed for the control of high vibration heavy duty mobile and industrial equipment.
9. Remote ID Setting technology allowing for instant, maintenance at site.
10. Multi optional receiver input power. 48/110, 48/220, 110/220, 220/380 VAC & 12-24VDC.

INMOTION 220 260 SERIES

GENERAL SPECIFICATION:

1. Enclosure: IP65
2. Structure: Glass Fiber/ABS
3. Operating Temperature: -49° to +176°F
4. Relay: 10A/250VAC (AC Power);
15A/32VDC (DC Power)
5. ID Code: 32bit
6. Hamming distance ≥ 4
7. Static >15KV
8. Remote ID Code Setting
9. Operating range: up to 300+ feet
10. Function programable

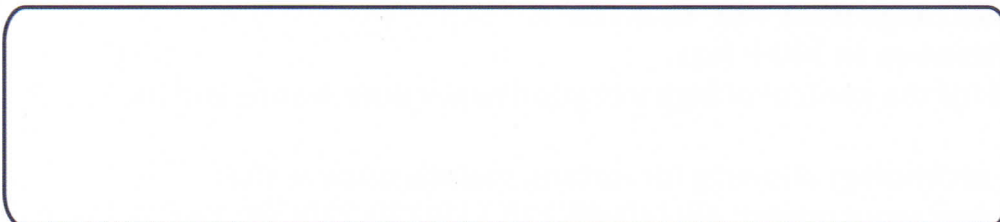
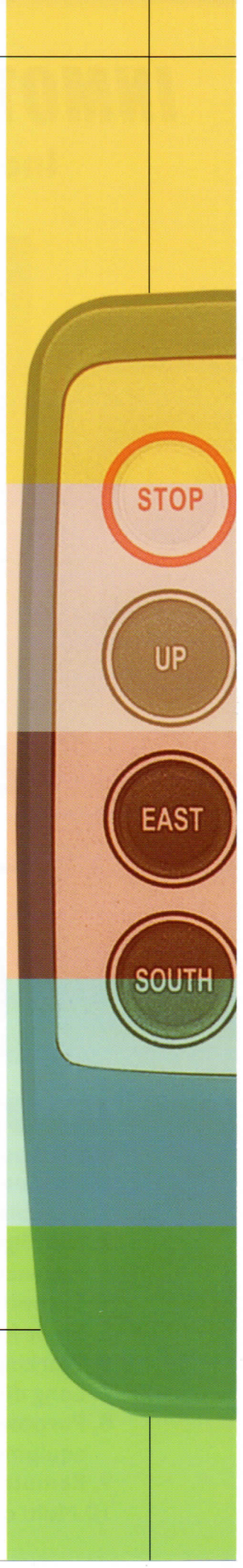
TRANSMITTER

- 1.L x W x H: 6.4 x 1.9 x 1.8 inches
- 2.Weight: 0.6 lbs. (w/batteries)
- 3.Two AA size alkaline batteries
- 4.Low power indicator (LED flash red)
- 5.Pushbutton jammed detector
- 6.Shock resistance
- 7.Output power $\leq 4\text{mW}$
- 8.Normal power consumption: about 10mA
- 9.Sleep mode consumption: less 1uA
- 10.Modulation: FM

RECEIVER

- 1.L x W x H: 6.34 x 2.91 x 2.05 inches
- 2.Weight: 2.43 lbs. (w/out cable)
- 3.AC type: 48/110, 48/220, 110/220,
220/380VAC DC type: 12V ~24VDC
- 4.Sensitivity: about 105dBm
- 5.Shock resistance

P.O. BOX 820456 • DALLAS, TEXAS 75382-0456
PHONE: 888-501-2220 • FAX: 214-342-9239





INMOTION Controls, Inc.

310 Series Radio/Remote Control



INMOTION Controls' 310 Series Radio / Remote Control is a versatile System, ideal for complex industrial applications. The compact, 8-pushbutton Transmitter fits easily in the user's hand and has the same added safety features that make the rest of INMOTION's products so popular. The 310 Series is a 3-motion, 2-speed radio, suitable for most industrial applications. Its 2-speed functionality is essential for operations that require additional efficiency and accuracy. Auxiliary buttons may be programmed for either momentary or maintained operation, and may also be used as a fourth motion. With a range of 300 feet, the 310 can accommodate larger applications without compromising safety. Installation of the 310 Series is very simple, and both AC and DC voltage configurations are available. With its crystal-based configuration, the 310 Series embodies simplicity in the palm of the user's hand. As with all INMOTION Controls products, the 310 Series comes with a standard one-year Warranty against all manufacturers' defects

**WE HAVE OTHER MODELS AVAILABLE
FOR ANY APPLICATION**

INMOTION CONTROLS, INC.



General Specifications

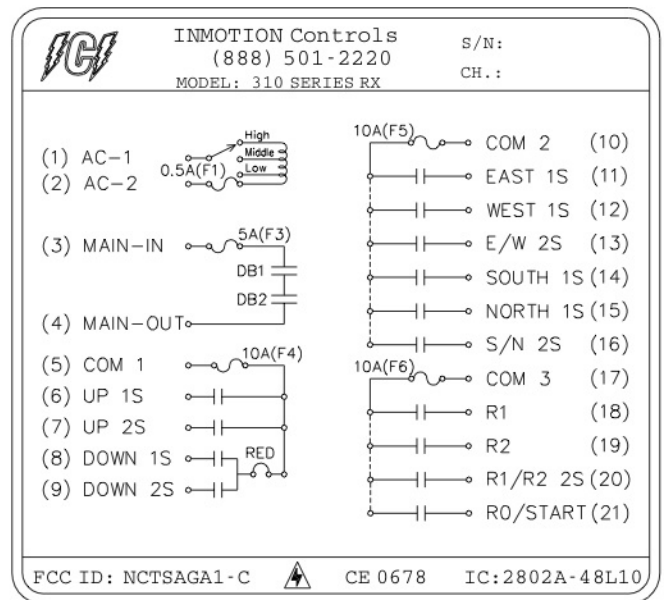
- * Enclosure: IP 65 (indoor/outdoor)
- * Structure: Fiberglass
- * Crystal-Based
- * Both power source and output relays with fuses
- * Synchronous transmission encoding and decoding
- * Frequency: 415-483 MHz
- * Operating Temperature: -30° C - 75° C
- * Relays: 10A/250V
- * ID Code: 32-bit
- * Response time = 65 ms
- * Range: 300 feet

Transmitter

- * 3-stage power indicator
- * Buzzer / Alarm
- * Removable key (waterproof)
- * Changeable pushbutton symbols
- * Shock-resistant design
- * Password power-on: 4 digits
- * Normal power consumption: about 40mA

Receiver

- * Alarm and signal light output
- * Power source detector
- * Anti-power interrupt circuit
- * Shock resistant
- * Enhanced watch-dog circuit
- * 3 superheterodyne
- * Frequency deviation tracing circuit





INMOTION Controls, Inc.

532 Series Radio / Remote Control



INMOTION Controls' 532 Series Radios / Remote Control is a versatile System, ideal for complex industrial applications. The compact Transmitter fits easily in the users hand and has the same added safety features that make all of INMOTION CONTROLS products so popular. The 532 Series is a 3 – motion, 2 – speed, radio suitable for most industrial applications using Variable Frequency Drives or stepped contactor control. The 532 Series offers options for a built-in horn and A / BOTH / B functionality. With a range of 300 feet, the 532 can operate in many environments without compromising safety. As with all INMOTION CONTROLS products, the 532 comes with a one year warranty against manufactures' defects.

**WE HAVE OTHER MODELS AVAILABLE
FOR ANY APPLICATION**

INMOTION Controls, Inc.

Available Configurations

- 532 SYSTEM – 3 motion, 2 speed
- 532-H SYSTEM – 3 motion, 2 speed with built-in horn
- 532-A/B SYSTEM – 3 motion, 2 speed with A/BOTH/B
- 532-A/B-H SYSTEM – 3 motion, 2 speed with A/BOTH/B and horn

General Specifications

- Two Transmitters and one Receiver included
- Enclosure: Fiberglass
- Environment: IP 65 (indoor/outdoor)
- Frequency: 310 – 331 MHz (crystal based)
- Operating Temperature: -49° F to 176° F
- ID Code: 32 bit
- Range: 300 feet

Transmitter

- Sealed START power button
- Changeable button labels
- Shock-resistant design
- Optional protective boot
- Two stage power indicator
- Minimal power consumption (40mA)

Receiver

- Alarm and signal light output
- Optional built-in horn
- Vibration resistant
- Enhanced watchdog circuit
- Source and output fused relays
- 110 VAC (standard operating)
- Optional 24, 48 or 220 VAC
- Optional 12-24 DC

