



INMOTION Controls Inc.

Industrial Radio Remote Control

INMOTION Series 220

INMOTION Series 260

User's Manual

Safety/Reliability/User-Friendly

April, 2014

This device complies with part 15 of FCC Rules. Operation is subject to the following two conditions; (1) This device may not cause harmful interference, and (2) this device must accept any interference received, including interference that may cause undesired operation.

**FCC ID: SAGA1-L8TX IC: 2802A-SAGAL8
CE0470**

WARRANTY

INMOTION Controls, Inc. guarantees that this product meets its published specification at the time of shipment from the factory. Under proper installation, it should work as expected. However, INMOTION Controls, Inc. does NOT guarantee that operation of the 220-260 Series Radio Control System will be error-free or without interruption.

This equipment is warranted against defects in materials and workmanship for a period of one year from the date of shipment. During the warranty period, INMOTION Controls, Inc. is responsible for necessary repairs, as long as the product can be proved to be defective.

For warranty service or repair, this product must be returned to our factory. Customer is responsible for shipping charges to INMOTION Controls, Inc., while INMOTION Controls, Inc. will pay return shipping charges.

This warranty does NOT include consumable parts, such as batteries, fuses, buttons, and relays or damage from normal wear and tear. Furthermore, this warranty does NOT cover defects caused by misuse, neglect, accident, failure to follow instructions, improper installation, improper or insufficient maintenance, unauthorized modification, unsuitable operating environment, improper operation, ignorance of environmental specifications, improper software/interfaces, fire, or acts of God.

- No other warranty is expressed or implied, except for the above mentioned
- The remedies provided herein are the buyers' sole and exclusive remedies.
- INMOTION Controls, Inc. shall not be liable for any direct/indirect, special, incidental or consequential damages.

OPERATING PRECAUTIONS

ATTENTION

- Due to the complex nature of the equipment, it is necessary to read the entire manual before installation.
- Never dismantle equipment by any unauthorized personnel, or equipment may be damaged.
- This Manual is for reference only; please call your distributor if further assistance is required.
- This equipment has been strictly tested for quality before delivery from our factory. However, it must not be used in extremely dangerous situations, or where damage may result.
- After operating, please shut off main power in Crane and the power to Receiver.
- Transmitter should be placed safely when not in use to avoid accidental pressing of buttons.
- The Crane should be equipped with main power Relay, Limit Switch and other required safety devices.
- The GND (ground) of Receiver must be connected with metal part of Crane, or electrical shock will occur.
- Do not use this device during electrical storm, or high electrical interference conditions.
- Ensure Transmitter batteries are in good condition and power for Receiver is normal.
- Installation and maintenance should be done only while the Crane's main power and Receiver's power are OFF, to prevent electrical shock.
- Contents of the Manual may be amended by the manufacturer without notice.

PRECAUTIONS

- After use of Series 220-260, please press red Emergency Off (EMO) mushroom button to shut off the main power in the Crane & Receiver.
- Stop operating when slow-response occurs due to insufficient Transmitter power, beyond the remote control range, or severe interference.
- Remove the batteries when the equipment won't be used for a long period.
- Operators must be in good health and have good judgment in regards to safety.
- Remote Control operator must have adequate training and related license to avoid danger.
- Series 220-260 Transmitter is durable and weather-resistant, but care should be taken not to subject it to severe impact or pressure.
- Series 220-260 is suitable for use in diverse industrial environments, and adequate operating and maintenance will extend system's life.
- Check EMO mushroom and the other security functions of Series 220-260 system before daily operation.
- Press Stop pushbutton when malfunctions or abnormal conditions occur.
- Operator must be familiar with the following Emergency Procedures before operating.

EMERGENCY PROCEDURES

In case of emergency, please follow the steps below and ask the distributor for service immediately.

- Press the EMO mushroom.
- Remove the batteries.
- Shut off the main power of the Crane and discontinue the operation.

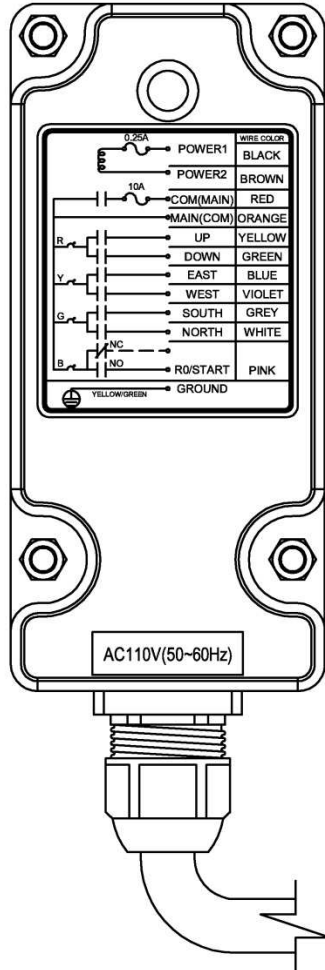
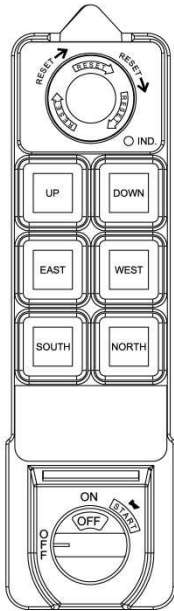
Contact the distributor to find out possible causes.

STANDARD ACCESSORIES

A standard INMOTION Series 220-260 System consists of:

(1) Transmitter, 2 units

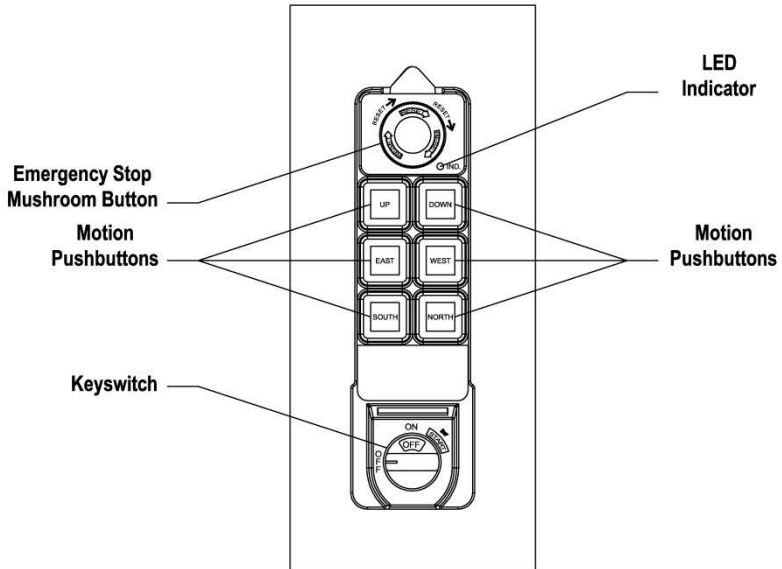
(2) Receiver, 1 unit



Note:
INMOTION Series 260 shown.

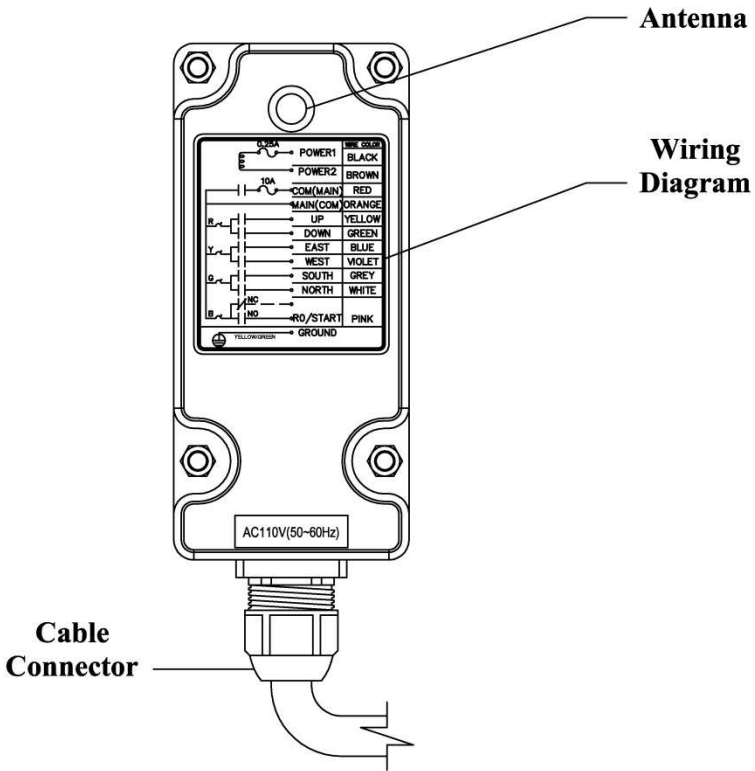
OPERATION

TRANSMITTER CONFIGURATION



Note:
Inmotion Series 260 Shown.

RECEIVER CONFIGURATION



Note:
INMOTION Series 260 Shown. Models vary depending on options.

GENERAL OPERATION

- Turn on the main power switch of the equipment (Crane).
 - Install 2 AA batteries in the battery box in the Transmitter. Make sure the polarity is correct.
 - Attach Transmitter battery door with screws.
 - Press the “R0/Start” Button.
Note: LED indicator will flash with red color if proper procedures are not followed.
 - Operate Transmitter by pressing each pushbutton.
 - After operation, perform the following procedures in sequence:
 - (1) Press the EMO mushroom
 - (2) Keep the transmitter in a safe place
 - (3) Switch main power off to the equipment (Crane)
 - (4) Remove batteries if not used for a long period of time**Note:** Transmitter has power indicating functions with LED display.
- ← “Green Color” – The LED will flash green when battery power is sufficient.
- “Red Color” – The LED will flash red when the power is low.
- The operating distance will become shorter and intermittent when the batteries are low.
 - Replace batteries with new batteries when battery power is low.

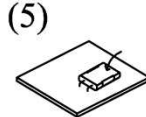
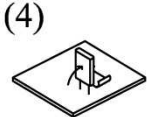
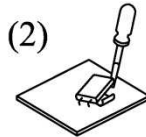
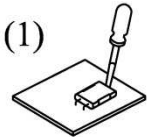
! DO NOT USE RECHARGEABLE BATTERIES !

CHANGING THE FREQUENCY

It is easy to change the frequency of the Series 220-260 simply by replacing corresponding frequency crystals in both the Transmitter and the Receiver.

Instructions:

1. Pry up the crystal with a flathead screwdriver.
2. Remove the crystal from the system.
3. Use needle nose pliers to straighten both pins of the new crystal.
4. Insert the new crystal vertically into the PC board.
5. Press the new crystal down into the socket.



ATTENTION :

The Transmitter frequency will be different from the Receiver frequency. For example, the transmitter crystals are labeled T01 thru T40 and receiver crystals are labeled R01 thru R40.

FREQUENCY CHART

Channel No.	Frequency MHz	Channel No.	Frequency MHz
1	310.0325	21	315.3825
2	310.3000	22	315.6500
3	310.5675	23	315.9175
4	310.8350	24	316.1850
5	311.1025	25	316.4525
6	311.3700	26	316.7200
7	311.6375	27	316.9875
8	311.9050	28	317.2550
9	312.1725	29	317.5225
10	312.4400	30	317.7900
11	312.7075	31	318.0575
12	312.9750	32	318.3250
13	313.2425	33	318.5925
14	313.5100	34	318.8600
15	313.7775	35	319.1275
16	314.0450	36	319.3950
17	314.3125	37	319.6625
18	314.5800	38	319.9300
19	314.8475	39	320.1975
20	315.1150	40	320.4650

RECEIVER VOLTAGE OPTIONS

There are two types of power voltages (DC and AC) available for the 220-260 Series.

1) DC Type:

Input Voltage: 12~24 VDC

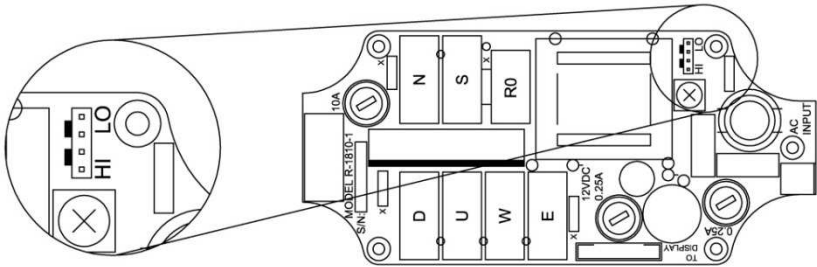
Relay Contact: 10A-36 VDC

2) AC Type:

Three different AC transformers: 24/48V, 48/110V, 110/220V.

Set the jumper to either Hi or Lo depending on which voltage is required. See the chart and diagram below.

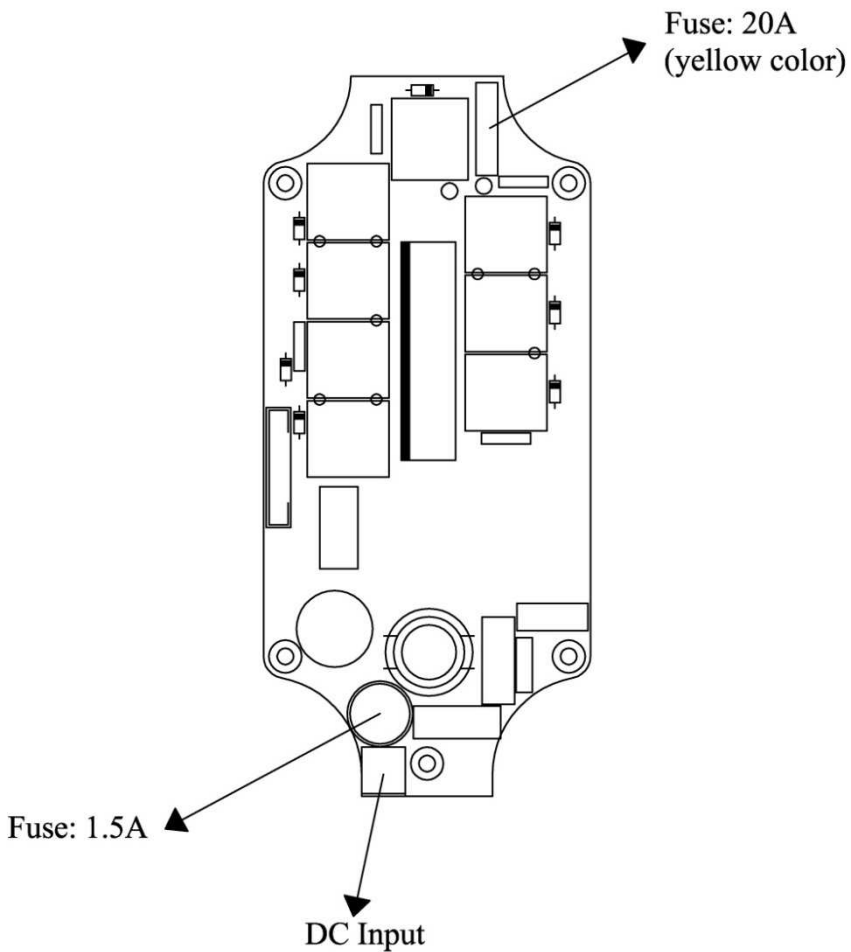
	LO	HI
AC24/48 Transformer	24	48
AC48/110 Transformer	48	110
AC110/220 Transformer	110	220



Note: Standard Systems are 48/110 VAC. If any others are required, please specify when ordering.

DC TYPE RELAY P.C. BOARD LAYOUT

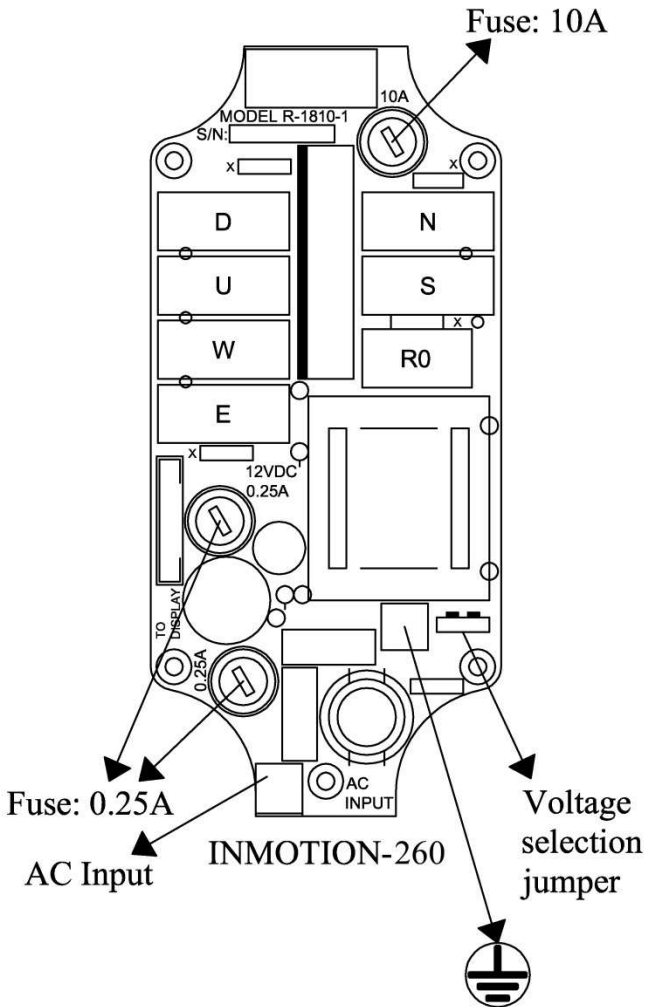
For INMOTION 220-260



Note: The Polarity of DC Input is not required when plugging in the power.

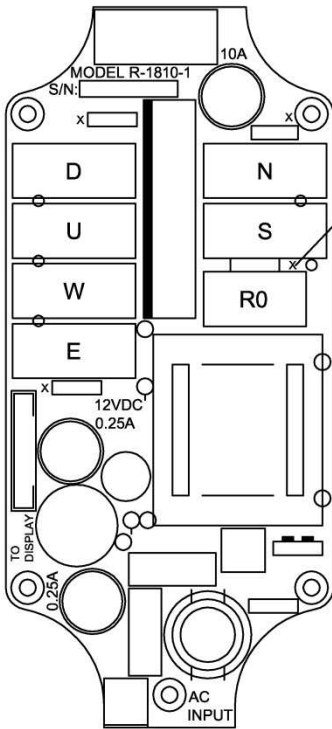
AC TYPE RELAY P.C. BOARD LAYOUT

INMOTION 260 Shown



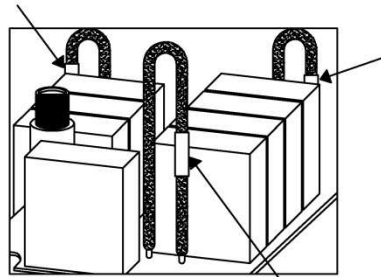
Note: The Ground of the receiver must be connected with metal Part of equipment, or electrical shock may occur.

INDEPENDENT COMMONS



INMOTION-260

If an independent COM line is required then cut the wire labeled with a white "X" as shown below. The longer part of the wire will become the new COM Line.



Cut the wire here.

INMOTION Series 220-260 offer optional independent COM lines as:

INMOTION-260	4 Independent COM Lines	Up/Dn, E/W, S/N, R0
INMOTION-220	3 Independent COM Lines	Up/Down, E/W, R0

Please refer to the figure of the relay board above. If any independent COM line is required then cut the wire labeled with a white "X". The longer part of the wire will become the new COM line. Then you may connect this new COM wire with an existing spare output wire. If no spares are available the customer must supply extra wire.

BATTERIES

Two AA size alkaline batteries are required for the Transmitter.

The LED will flash green when the battery power is sufficient.

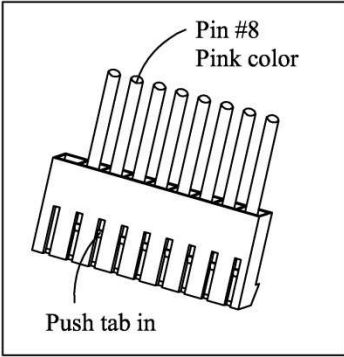
The LED will flash red when the battery power is low.

- The operating distance will become shorter and intermittent when the battery is low.
- Replace with new battery when battery power is low.

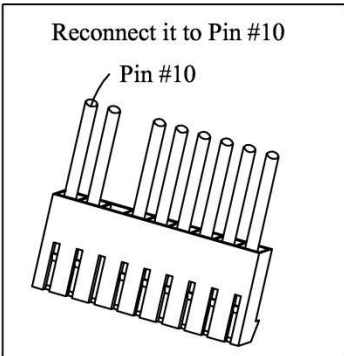
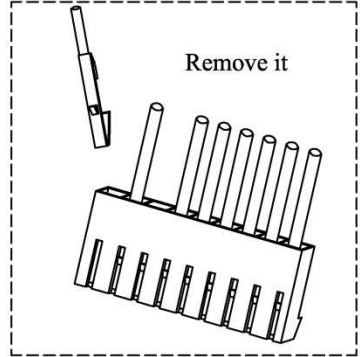
! DO NOT USE RECHARGEABLE BATTERIES !

CHANGING R0/START N.O. (normally open) to N.C. (normally closed)

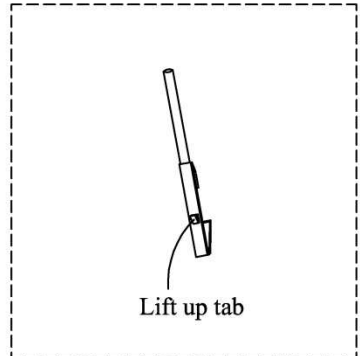
Instructions:



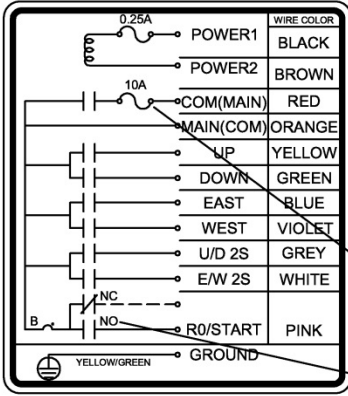
The R0/START is N.O.



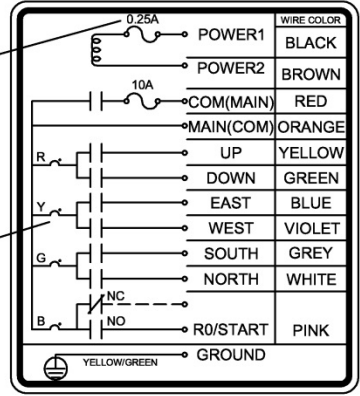
The R0/START is N.C.



WIRING DIAGRAMS



INMOTION-220



INMOTION-260

Note: Polarity for 12-24VDC systems is not required when wiring the power for the receiver.

Notes:

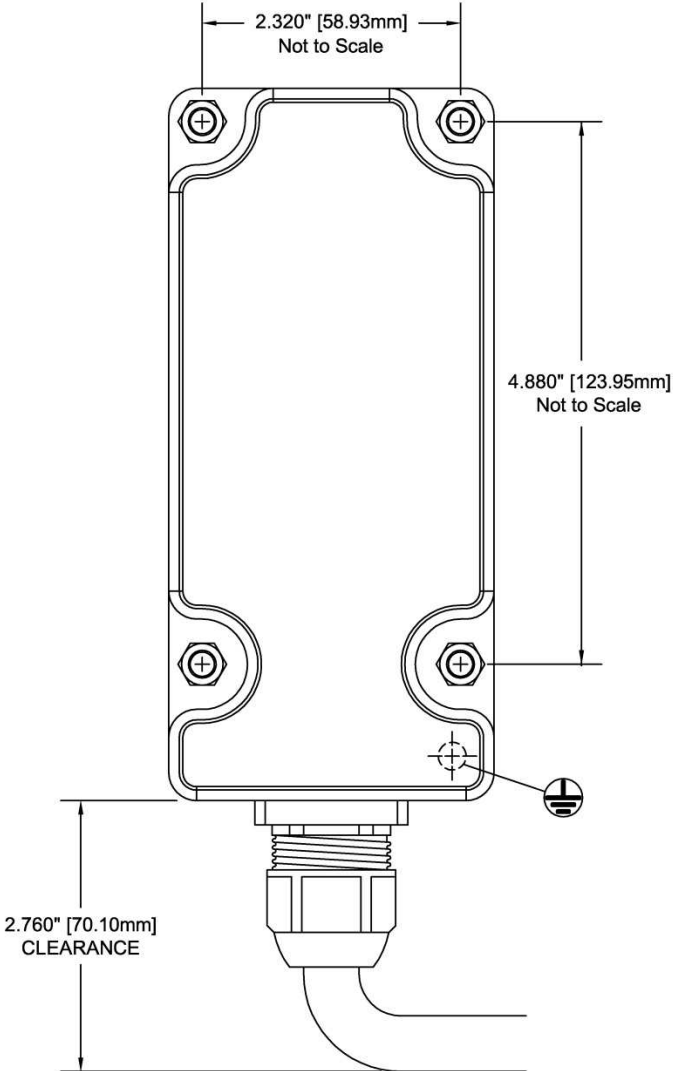
- (1) The R0/Start can be N.O. or N.C. See page 16.
- (2) The fuse for the power AC 48/110/220 is 0.25A.
The fuse for the power DC 12/24V is 1.5A.
- (3) The fuse for the AC type at the COM(MAIN) is 10A.
The fuse for the DC type at the COM(MAIN) is 20A.
- (4) The COM lines have been arranged prior to shipment,
If an independent COM line is required, please refer to
Page 14.

MOUNTING THE RECEIVER

Please note that the drawing below is not to scale.

INSTALLATION INSTRUCTIONS:

1. Attach this template in a proper location allowing 1.18" [29.97mm] clearance on all sides.
2. Drill the .256" [6.5mm] holes for 6mm vibration resistant screw bolts. Install and fix the receiver with 6mm screw nut (provided).



**Do You Have a
Harsh Environment?
Are Your Operators
Tough on Transmitters?**



**Try Our Neoprene
Rubber Boots**



INMOTION Controls Inc.

Industrial Radio Remote Control

**INMOTION Series 310
INMOTION Series 310-1/Both/2
INMOTION Series 310-3C
INMOTION Series 310-T/H-C**

User's Manual

Safety/Reliability/User-Friendly

April, 2014

This device complies with part 15 of FCC Rules. Operation is subject to the following two conditions; (1) This device may not cause harmful interference, and (2) this device must accept any interference received, including interference that may cause undesired operation.

**FCC ID: NCT048L10 IC: 2802A-048L10
CE 0678**

WARRANTY

INMOTION Controls, Inc. guarantees that this product meets its published specification at the time of shipment from the factory. Under proper installation, it should work as expected. However, INMOTION Controls, Inc. does not guarantee that operation of the 310 Series Radio Control System is error-free or without interruption.

This equipment is warranted against defects in materials and workmanship for a period of one year from the date of shipment. During the warranty period, INMOTION Controls, Inc. is responsible for necessary repairs, as long as the product can be proved to be defective.

For warranty service or repair, this product must be returned to our factory. Customer is responsible for shipping charges to INMOTION Controls, Inc., while INMOTION Controls, Inc. will pay return shipping charges.

This warranty does NOT include consumable parts, such as joystick, batteries, fuses, buttons, and relays or damage from normal wear and tear. Furthermore, this warranty does NOT cover defects caused by misuse, neglect, accident, failure to follow instructions, improper installation, improper or insufficient maintenance, unauthorized modification, unsuitable operating environment, improper operation, ignorance of environmental specifications, improper software/interfaces, fire, or acts of God.

- No other warranty is expressed or implied, except for the above mentioned
- The remedies provided herein are the buyers' sole and exclusive remedies.
- INMOTION Controls, Inc. shall not be liable for any direct/indirect, special, incidental or consequential damages.

OPERATING PRECAUTIONS

ATTENTION

- Due to the complex nature of the equipment, it is necessary to read the entire manual before installation.
- Never dismantle equipment by any unauthorized personnel, or equipment may be damaged.
- This Manual is for reference only; please call your distributor if further assistance is required.
- This equipment has been strictly tested for quality before delivery from our factory. However, it must not be used in extremely dangerous situations, or where damage may result.
- After operating, please shut off main power in Crane and the power to Receiver.
- Transmitter should be placed safely when not in use to avoid accidental pressing of buttons.
- The Crane should be equipped with main power Relay, Limit Switch and other required safety devices.
- The GND (ground) of Receiver must be connected with metal part of Crane, or electrical shock will occur.
- Do not use this device during electrical storm, or high electrical interference conditions.
- Ensure Transmitter batteries are in good condition and power for Receiver is normal.
- Installation and maintenance should be done only while the Crane's main power and Receiver's power are OFF, to prevent electrical shock.
- Contents of the Manual may be amended by the manufacturer without notice.

PRECAUTIONS

- After Operating Series 310, please press EMO (Emergency Off) mushroom and turn the keyswitch to the “Off” to shut off main power in the Crane & Receiver.
- Stop operating when slow-response occurs due to insufficient Transmitter power, beyond the remote control range, or severe interference.
- Remove the batteries when the equipment won't be used for a long period.
- Operators must be in good health and have good judgment in regards to safety.
- Remote Control operator must have adequate training and related license to avoid danger.
- Series 310 Transmitter is durable and weather-resistant, but care should be taken not to subject it to severe impact or pressure.
- Series 310 is suitable for use in diverse industrial environments, and adequate operating and maintenance will extend system's life.
- Check EMO mushroom and the other security functions of Series 310 system before daily operation.
- Press EMO mushroom when malfunctions or abnormal conditions occur.
- Operator must be familiar with the following Emergency Procedures before operating.

EMERGENCY PROCEDURES

In case of emergency, please follow the steps below and ask the distributor for service immediately.

- Press EMO mushroom
- Remove the batteries
- Shut off the main power of the Crane and discontinue the operation

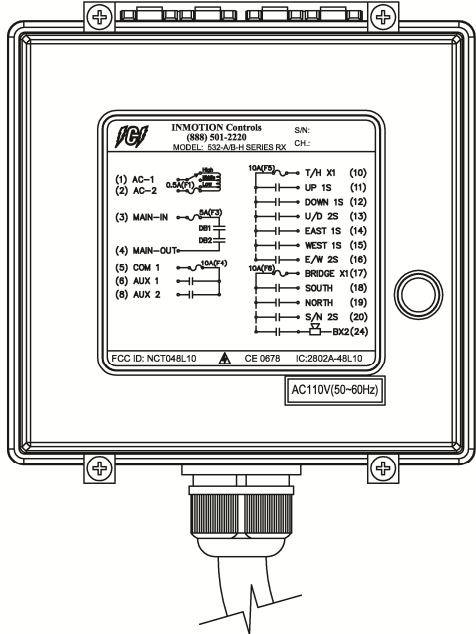
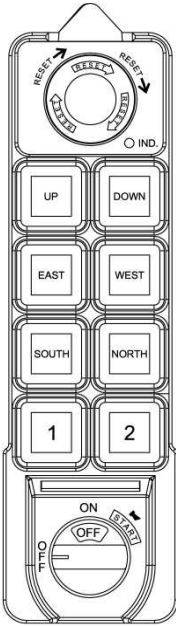
Contact the distributor to find out possible causes.

STANDARD ACCESSORIES

A standard and full set of Series 310 consists of:

(1) Transmitter, 2 units

(2) Receiver, 1 unit

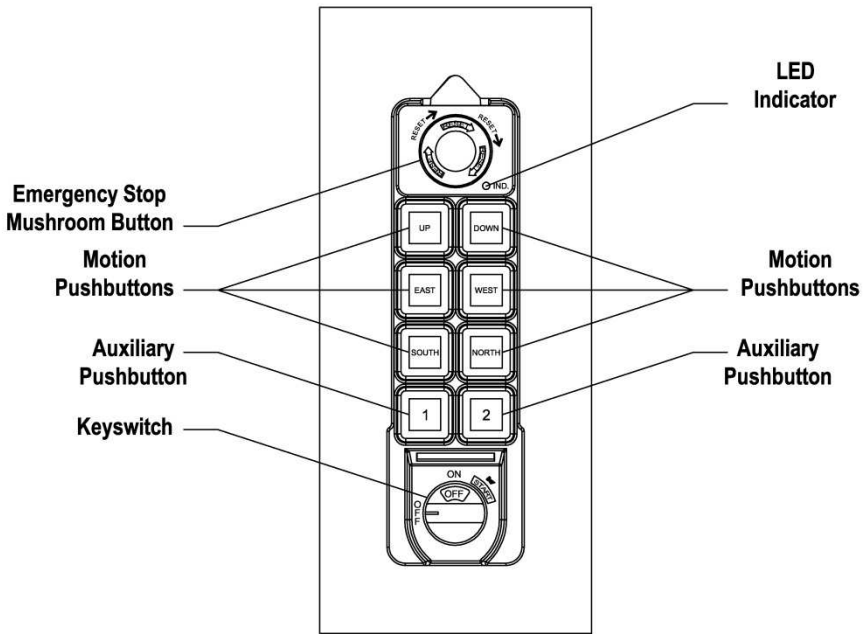


Note:

Inmotion Series 310 Shown. Models vary depending on options.

OPERATION

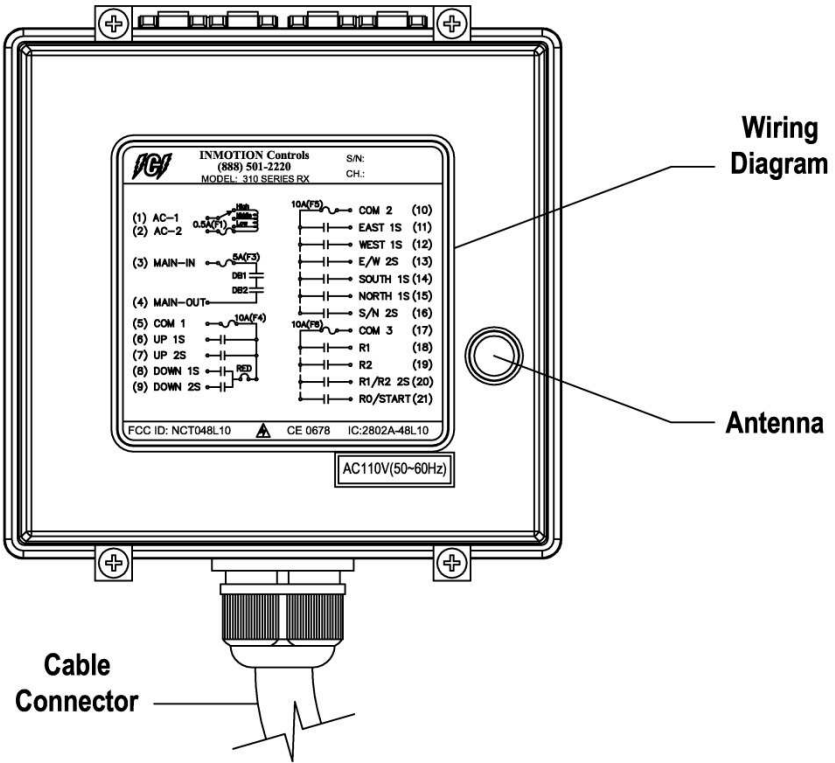
TRANSMITTER CONFIGURATION



Note:

Inmotion Series 310 Shown. Models vary depending on options.

RECEIVER CONFIGURATION



Note:

Inmotion Series 310 Shown. Models vary depending on options.

GENERAL OPERATION

- Turn on the main power switch of the equipment (Crane).
- Install 2 AA batteries in the battery box in the Transmitter. Make sure the polarity is correct.
- Attach Transmitter battery door with screws.
- Insert security key in the “OFF” position.
- Turn the keyswitch clockwise to the “ON” position, then continue to turn it to the “START” position to power-on.
Note: LED indicator will flash red if proper procedures are not followed.
- Operate Transmitter by pressing each pushbutton.
- After operation, perform the following procedures in sequence:
 - (1) Press EMO mushroom
 - (2) Turn the keyswitch to the “OFF” position.
 - (3) Remove key and keep the transmitter in a safe place.
 - (4) Switch main power off to the equipment (Crane).
 - (5) Remove batteries if not used for a long period of time.**Note:** Transmitter has power indicating functions with LED display.
 - ← “Green Color” – The LED will flash green when battery power is sufficient.
 - “Red Color” – The LED will flash red when the power is low.
 - The operating distance will become shorter and intermittent when the batteries are low.
 - Replace with new batteries when battery power is low.

! DO NOT USE RECHARGEABLE BATTERIES !

RECEIVER VOLTAGE SELECTION

There are two types of power voltages (DC and AC) available for the Series 310.

1) DC Type:

Input Voltage: 12~24 VDC

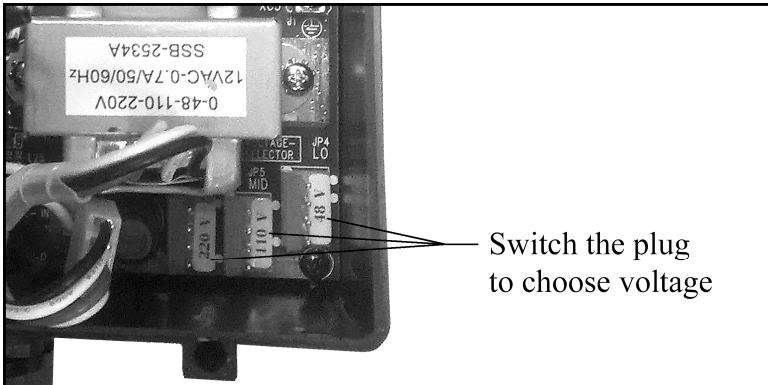
Relay Contact: 10A-36 VDC

2) AC Type:

Three different AC transformers:

48/110/220V, 48/220/380V, 110/220/380V.

Please disconnect the Receiver's power, select the proper voltage, and plug in the connector. See picture below.



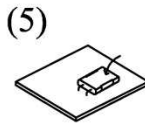
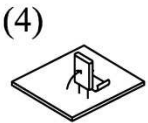
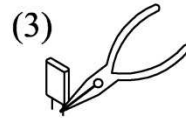
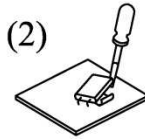
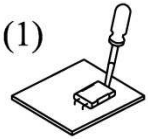
Note: Standard Systems are 48/110/220 VAC. If any others are required, please specify when ordering.

CHANGING THE FREQUENCY

It is easy to change the frequency of the Series 310 simply by replacing corresponding frequency crystals in both the Transmitter and the Receiver.

Instructions:

1. Pry up the crystal with a flathead screwdriver.
2. Remove the crystal from the system.
3. Use needle nose pliers to straighten both pins of the new crystal.
4. Insert the new crystal vertically into the PC board.
5. Press the new crystal down into the socket.



ATTENTION :

The Transmitter frequency will be different from the Receiver frequency. For example, the transmitter crystals are labeled T01 thru T40 and receiver crystals are labeled R01 thru R40.

FREQUENCY CHART

Ch	Freq. Mhz	Ch	Freq. Mhz	Ch	Freq. Mhz	Ch	Freq. Mhz
1	310.0325	11	312.7075	21	315.3825	31	318.0575
2	310.3000	12	312.9750	22	315.6500	32	318.3250
3	310.5675	13	313.2425	23	315.9175	33	318.5925
4	310.8350	14	313.5100	24	316.1850	34	318.8600
5	311.1025	15	313.7775	25	316.4525	35	319.1275
6	311.3700	16	314.0450	26	316.7200	36	319.3950
7	311.6375	17	314.3125	27	316.9875	37	319.6625
8	311.9050	18	314.5800	28	317.2550	38	319.9300
9	312.1725	19	314.8475	29	317.5225	39	320.1975
10	312.4400	20	315.1150	30	317.7900	40	320.4650

BATTERIES

Two AA size alkaline batteries are required for the Transmitter.

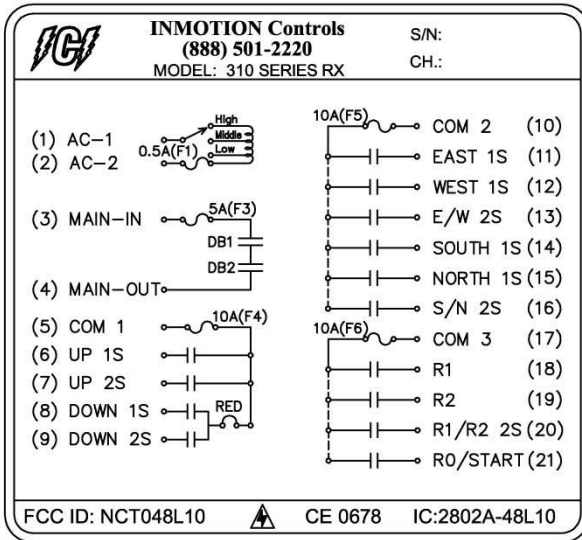
The LED will flash green when the battery power is sufficient.

The LED will flash red when the battery power is low.

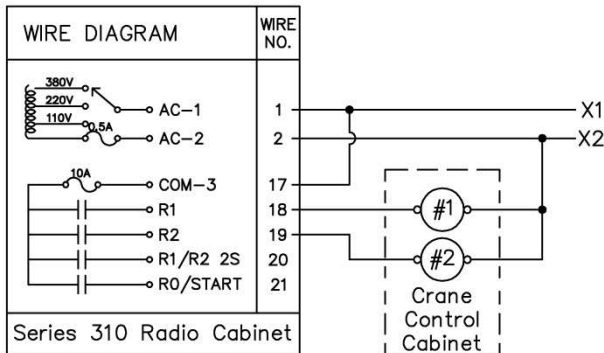
- The operating distance will become shorter and intermittent when the battery is low.
- Replace with new battery when battery power is low.

! DO NOT USE RECHARGEABLE BATTERIES !

INSTALLATION NOTES



INMOTION 310 INMOTION 310 1/Both/2



INMOTION 310 1/Both/2 Option

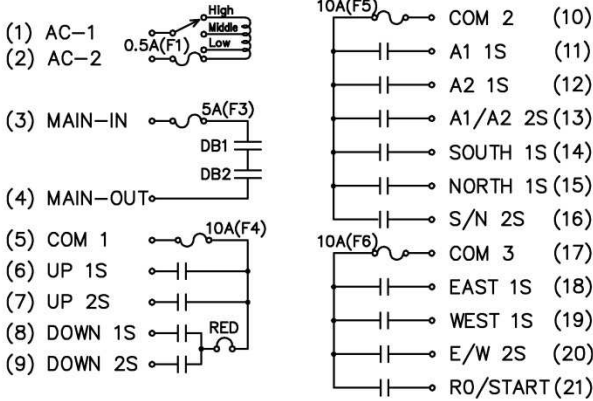
1. System must be programmed for this option.
2. Connect wire # 17 to X1.
3. Connect wire # 18 to relay coil of selector relay #1.
4. Connect wire # 19 to relay coil of selector relay #2.

NOTE: INMOTION 310-3C & 310-T/H-C Similar.



INMOTION Controls
(888) 501-2220
 MODEL: 310-3C SERIES RX

S/N:
 CH.:



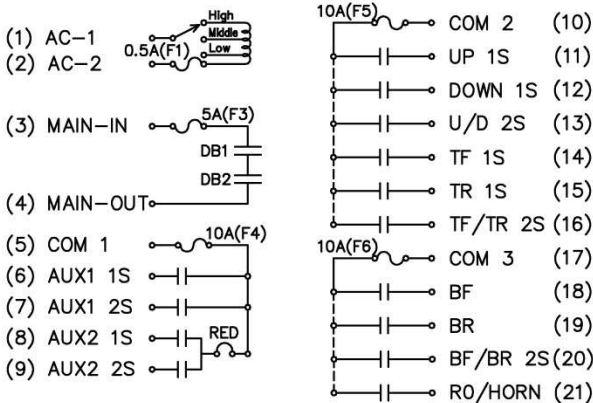
FCC ID: NCT048L10 CE 0678 IC:2802A-48L10

INMOTION 310-3C



INMOTION Controls
(888) 501-2220
 MODEL: 310-T/H-C SERIES RX

S/N:
 CH.:



FCC ID: NCT048L10 CE 0678 IC:2802A-48L10

INMOTION 310-T/H-C

**Do You Have a
Harsh Environment?
Are Your Operators
Tough on Transmitters?**



**Try Our Neoprene
Rubber Boots**



INMOTION Controls Inc.

Industrial Radio Remote Control

**INMOTION Series 532
INMOTION Series 532-H
INMOTION Series 532-A/B
INMOTION Series 532-A/B-H
User's Manual**

Safety/Reliability/User-Friendly

October, 2013

This device complies with part 15 of FCC Rules. Operation is subject to the following two conditions; (1) This device may not cause harmful interference, and (2) this device must accept any interference received, including interference that may cause undesired operation.

**FCC ID: NCT048L10 IC: 2802A-048L10
CE 0678**

WARRANTY

INMOTION Controls, Inc. guarantees that this product meets its published specification at the time of shipment from the factory. Under proper installation, it should work as expected. However, INMOTION Controls, Inc. does not guarantee that operation of the 532 Series Radio Control System is error-free or without interruption.

This equipment is warranted against defects in materials and workmanship for a period of one year from the date of shipment. During the warranty period, INMOTION Controls, Inc. is responsible for necessary repairs, as long as the product can be proved to be defective.

For warranty service or repair, this product must be returned to our factory. Customer is responsible for shipping charges to INMOTION Controls, Inc., while INMOTION Controls, Inc. will pay return shipping charges.

This warranty does NOT include consumable parts, such as joystick, batteries, fuses, buttons, and relays or damage from normal wear and tear. Furthermore, this warranty does NOT cover defects caused by misuse, neglect, accident, failure to follow instructions, improper installation, improper or insufficient maintenance, unauthorized modification, unavoidable natural essential, improper operation, ignorance of environmental specifications, improper software/interfaces, fire, or acts of God.

- No other warranty is expressed or implied, except for the above mentioned
- The remedies provided herein are the buyers' sole and exclusive remedies.
- INMOTION Controls, Inc. shall not be liable for any direct/indirect, special, incidental or consequential damages.

OPERATING PRECAUTIONS

ATTENTION

- Due to the complex nature of the equipment, it is necessary to read the entire manual before installation.
- Never dismantle equipment by any unauthorized personnel, or equipment may be damaged.
- This Manual is for reference only, please call your distributor if further assistance is required.
- This equipment has been strictly tested for quality before delivery from our factory. However, it must not be used in extremely dangerous situations, or where damage may result.
- After operating, please shut off main power in Crane and the power to Receiver.
- Transmitter should be placed safely when not in use to avoid accidental pressing of buttons.
- The Crane should be equipped with main power Relay, Limit Switch and other required safety devices.
- The GND (ground) of Receiver must be connected with metal part of Crane, or electrical shock will occur.
- Do not use this device during electrical storm, or high electrical interference conditions.
- Ensure Transmitter batteries are in good condition and power for Receiver is normal.
- Installation and maintenance should be done only while the Crane's main power and Receiver's power are OFF, to prevent electrical shock.
- Contents of the Manual may be amended by the manufacturer without notice.

- Series 532 is manufactured with many patents developed and owned by INMOTION Controls and its related enterprises.

PRECAUTIONS

- After Operating Series 532, please press EMS mushroom to shut off main power in the Crane & Receiver.
- Stop operating when slow-response occurs due to insufficient Transmitter power, beyond the remote control range, or severe interference.
- Remove the batteries when the equipment won't be used for a long period.
- Operators must be in good health and have good judgment in regards to safety.
- Remote Control operator must have adequate training and related license to avoid danger.
- Series 532 Transmitter is durable and weather-resistant, but care should be taken not to subject it to severe impact or pressure.
- Series 532 is suitable for use in diverse industrial environments, and adequate operating and maintenance will extend system's life.
- Check EMS mushroom and the other security functions of Series 532 system before daily operation.
- Press EMS mushroom when malfunctions or abnormal conditions occur.
- Operator must be familiar with the following Emergency Procedures before operating.

EMERGENCY PROCEDURES

In case of emergency, please follow the steps below and ask the distributor for service immediately.

- Press EMS mushroom
- Remove the batteries
- Shut off the main power of the Crane and discontinue the operation

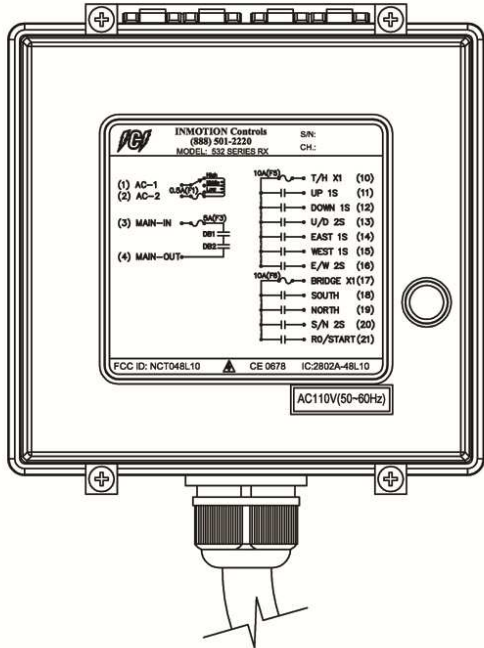
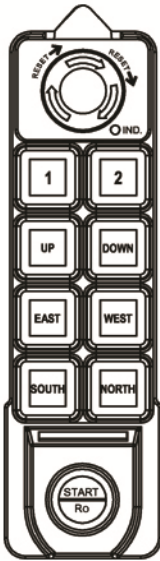
Contact the distributor to find out possible causes.

STANDARD ACCESSORIES

A standard and full set of Series 532 consists of:

(1) Transmitter, 2 units

(2) Receiver, 1 unit

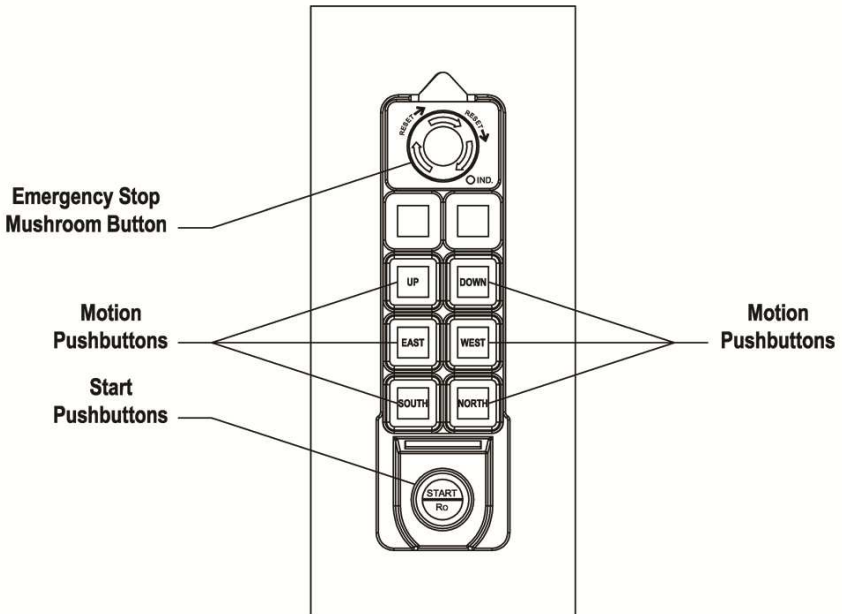


Note:

Inmotion Series 532-A/B-H Shown. Models vary depending on options.

OPERATION

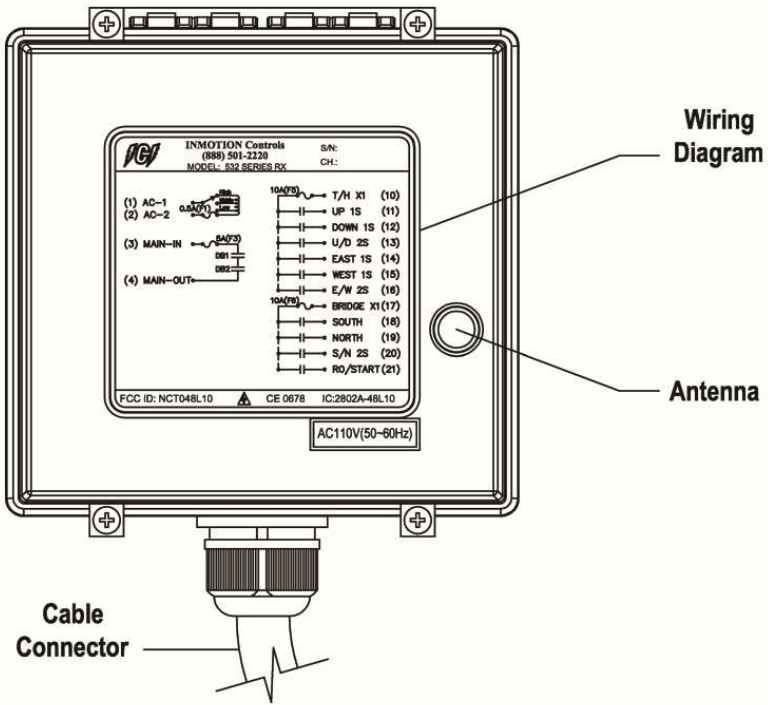
TRANSMITTER CONFIGURATION



Note:

Inmotion Series 532-A/B-H Shown. Models vary depending on options.

RECEIVER CONFIGURATION



Note:

Inmotion Series 532-A/B-H Shown. Models vary depending on options.

GENERAL OPERATION

- Turn on the main power switch of the equipment (Crane).
- Install 2 AA batteries in the battery box in the Transmitter. Make sure the “+” and “-“ directions are correct.
- Attach Transmitter battery door with screws.
- Press the “Start/RO” Button.
Note: LED indicator will flash with red color if proper procedures are not followed.
- Operate Transmitter by pressing each pushbutton.
- After operation, perform the following procedures in sequence:
 - (1) Press EMS mushroom
 - (2) Keep the transmitter in a safe place
 - (3) Switch main power off to the equipment (Crane)
 - (4) Remove batteries if not used for a long period of time**Note:** Transmitter has power indicating functions with LED display.

← “Green Color” – The LED will flash green when battery power is sufficient.

→ “Red Color” – The LED will flash red when the power is low.

- The operating distance will become shorter and intermittent when the batteries are low.
- Replace with new batteries when battery power is low.

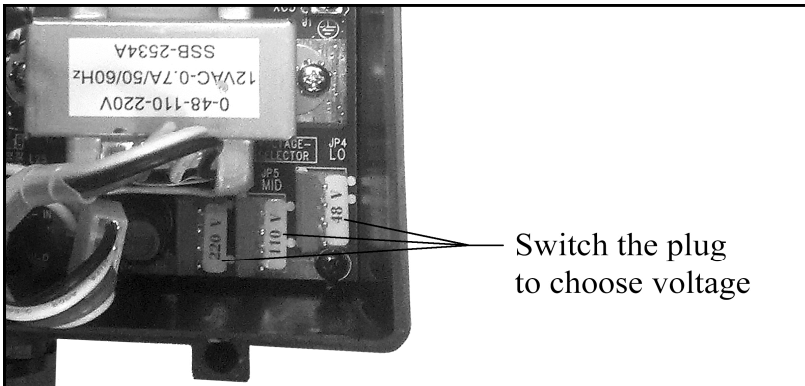
! DO NOT USE RECHARGEABLE BATTERIES !

RECEIVER VOLTAGE SELECTION

There are two types of power voltages (DC and AC) available for the Series 532.

- 1) DC Type:
Input Voltage: 12~24 VDC
Relay Contact: 10A-36 VDC

- 2) AC Type:
Three different AC transformers:
48/110/220V, 48/220/380V, 110/220/380V.
Please disconnect the Receiver's power, select the proper voltage, and plug in the connector.



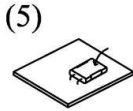
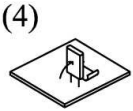
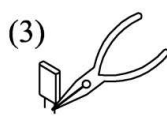
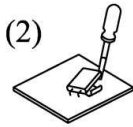
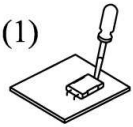
Note: Standard Systems are 48/110 VAC. If any others are required, please specify when ordering.

CHANGING THE FREQUENCY

It is easy to change the frequency of the Series 532 simply by replacing corresponding frequency crystals in both the Transmitter and the Receiver.

Instructions:

1. Pry up the crystal with a flathead screwdriver.
2. Remove the crystal from the system.
3. Use needle nose pliers to straighten both pins of the new crystal.
4. Insert the new crystal vertically into the PC board.
5. Press the new crystal down into the socket.



ATTENTION :

The Transmitter frequency will be different from the Receiver frequency. For example, the transmitter crystals are labeled T01 thru T60 and receiver crystals are labeled R01 thru R60.

FREQUENCY CHART

Ch	Freq. MHz	Ch	Freq. MHz	Ch	Freq. MHz	Ch	Freq. MHz
1	310.0325	11	312.7075	21	315.3825	31	318.0575
2	310.3000	12	312.9750	22	315.6500	32	318.3250
3	310.5675	13	313.2425	23	315.9175	33	318.5925
4	310.8350	14	313.5100	24	316.1850	34	318.8600
5	311.1025	15	313.7775	25	316.4525	35	319.1275
6	311.3700	16	314.0450	26	316.7200	36	319.3950
7	311.6375	17	314.3125	27	316.9875	37	319.6625
8	311.9050	18	314.5800	28	317.2550	38	319.9300
9	312.1725	19	314.8475	29	317.5225	39	320.1975
10	312.4400	20	315.1150	30	317.7900	40	320.4650

BATTERIES

Two AA size alkaline batteries are required for the Transmitter.

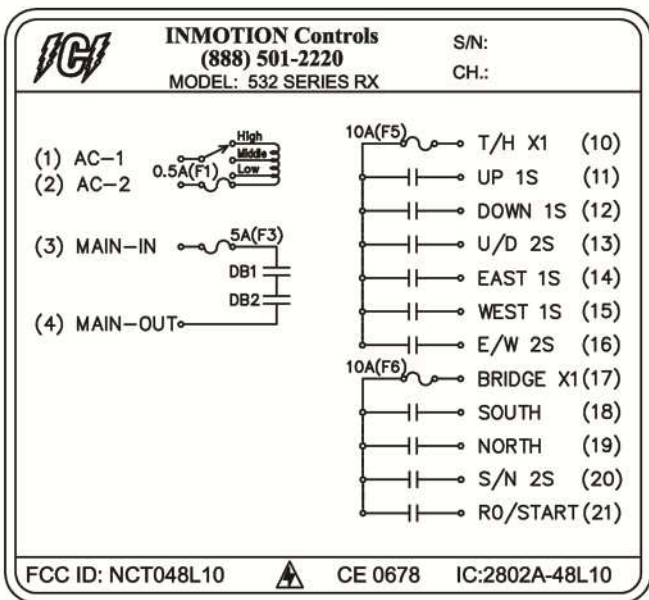
The LED will flash green when the battery power is sufficient.

The LED will flash red when the battery power is low.

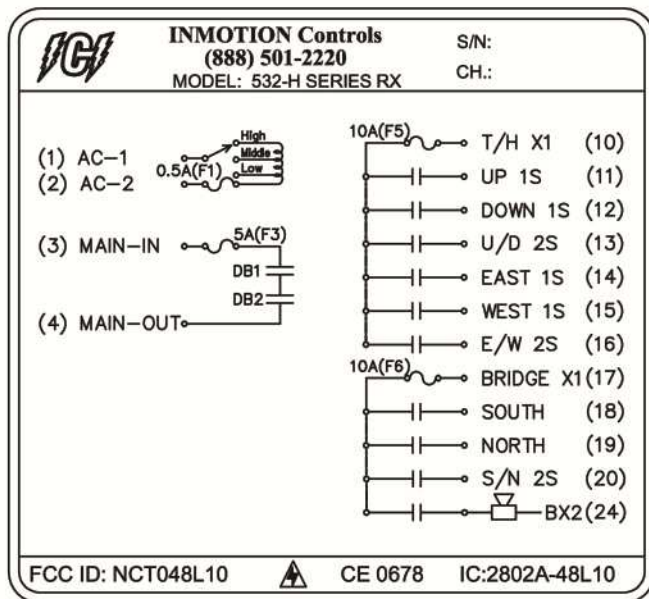
- The operating distance will become shorter and intermittent when the battery is low.
- Replace with new battery when battery power is low.

! DO NOT USE RECHARGEABLE BATTERIES !

INSTALLATION NOTES



INMOTION 532



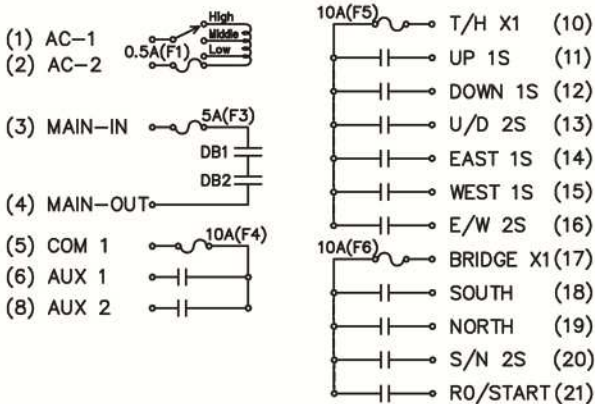
INMOTION 532-H



INMOTION Controls
(888) 501-2220
MODEL: 532-A/B SERIES RX

S/N:

CH.:



FCC ID: NCT048L10



CE 0678

IC:2802A-48L10

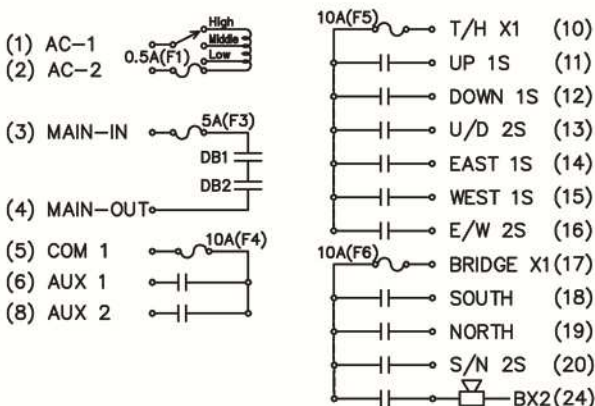
INMOTION 532-A/B



INMOTION Controls
(888) 501-2220
MODEL: 532-A/B-H SERIES RX

S/N:

CH.:



FCC ID: NCT048L10



CE 0678

IC:2802A-48L10

INMOTION 532-A/B-H

**Do You Have a
Harsh Environment?
Are Your Operators
Tough on Transmitters?**



**Try Our Neoprene
Rubber Boots**