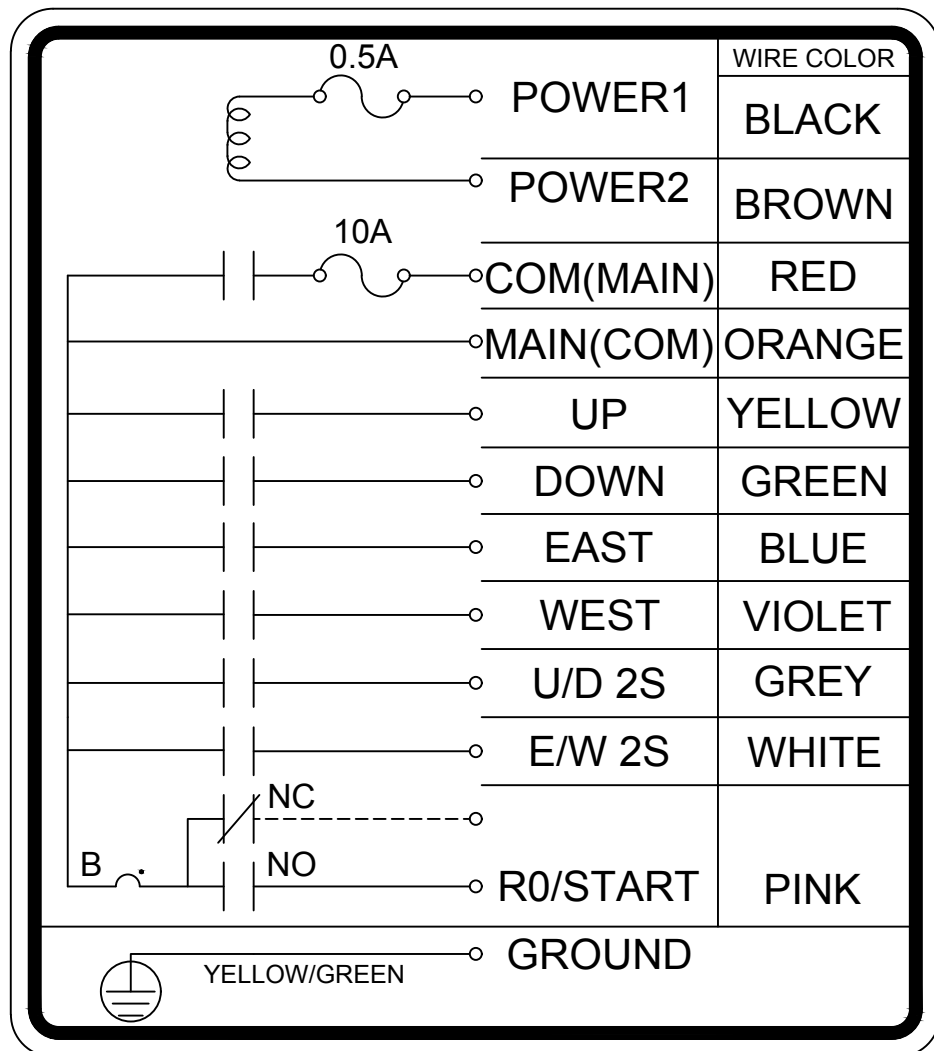
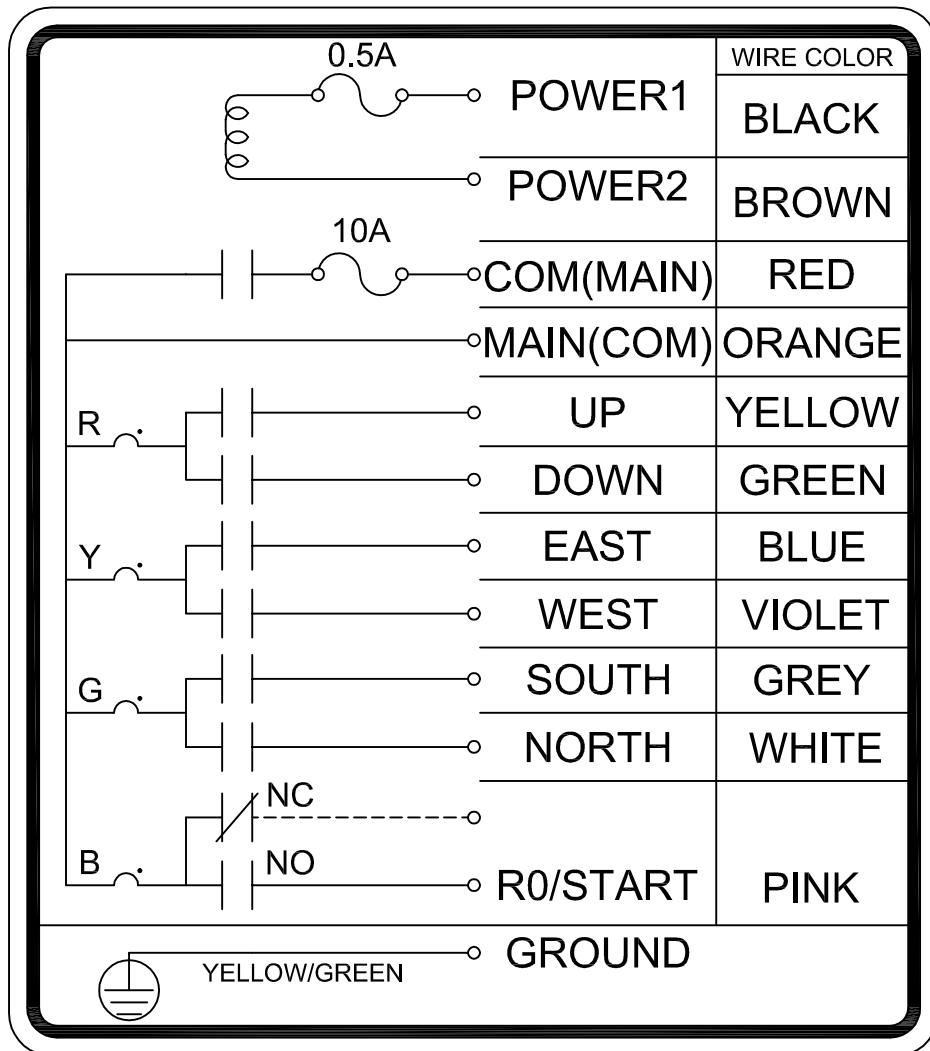


WIRE DIAGRAM OF INMOTION SERIES 220-2:



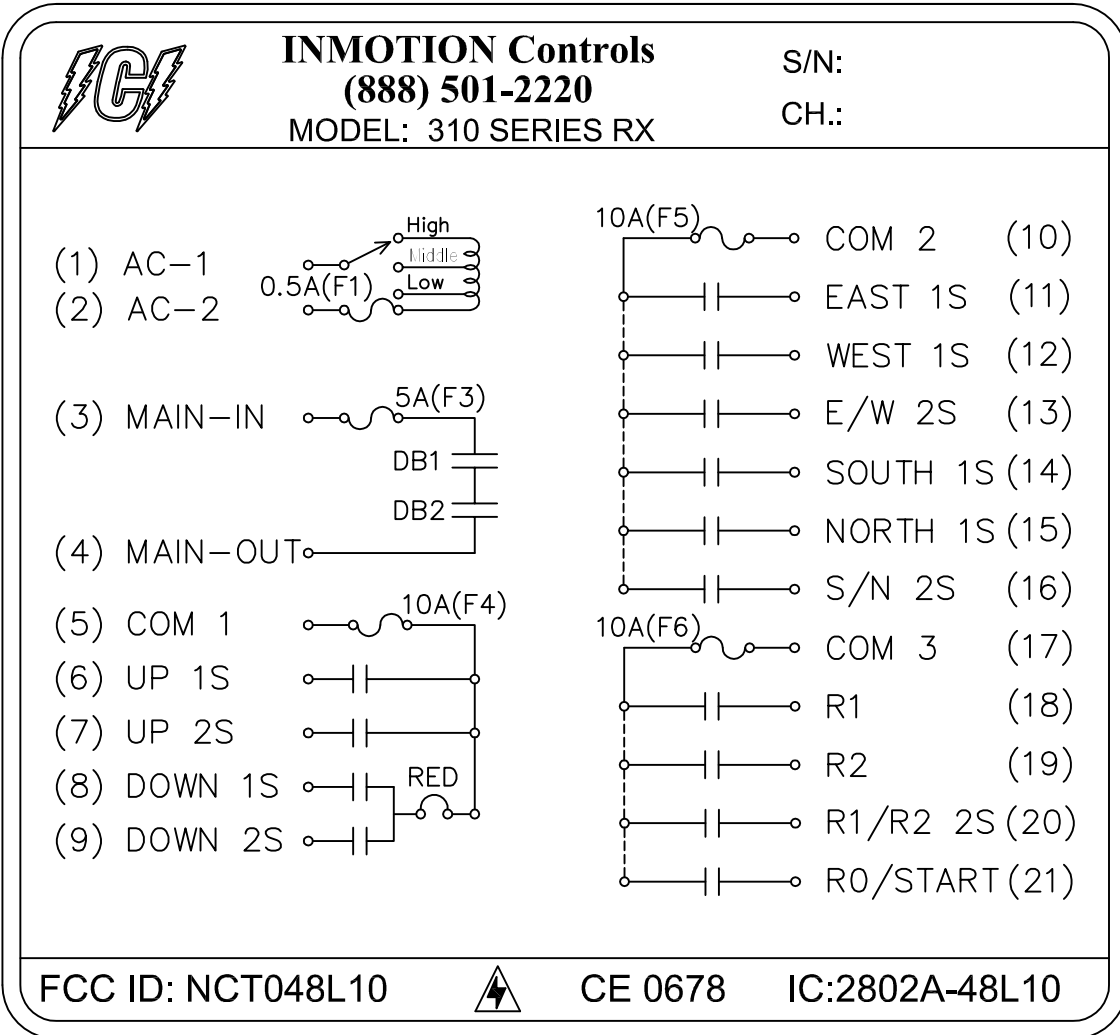
INMOTION-220-2

WIRE DIAGRAM OF INMOTION SERIES 260:



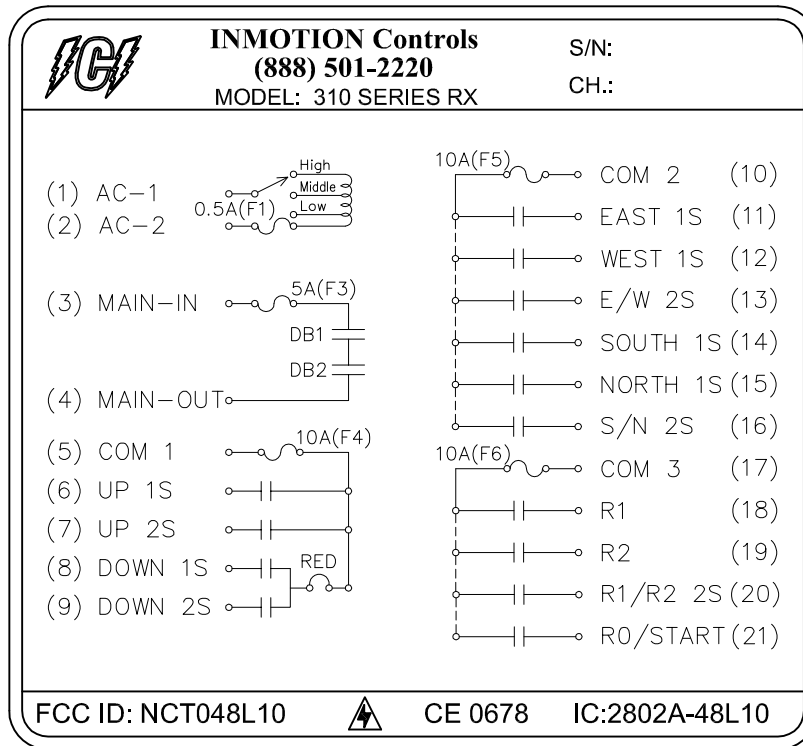
INMOTION-260

WIRE DIAGRAM OF INMOTION SERIES 310:

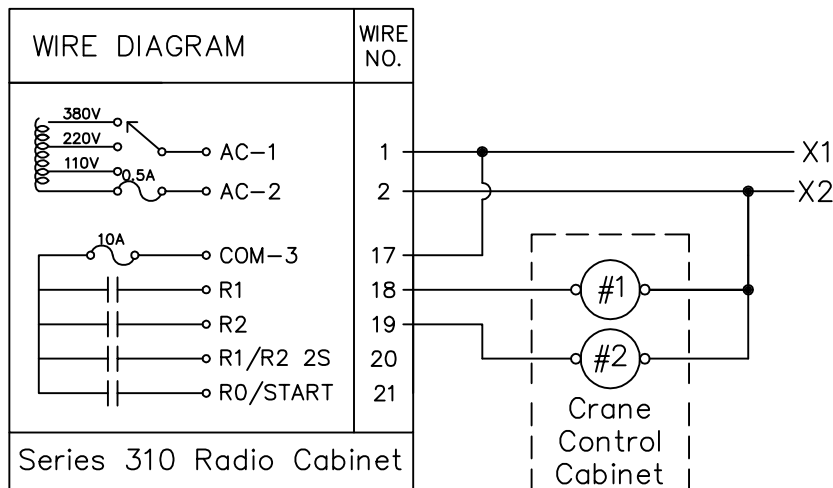


INMOTION-310

WIRE DIAGRAM OF INMOTION SERIES 310 1/Both/2:



INMOTION 310 1/Both/2

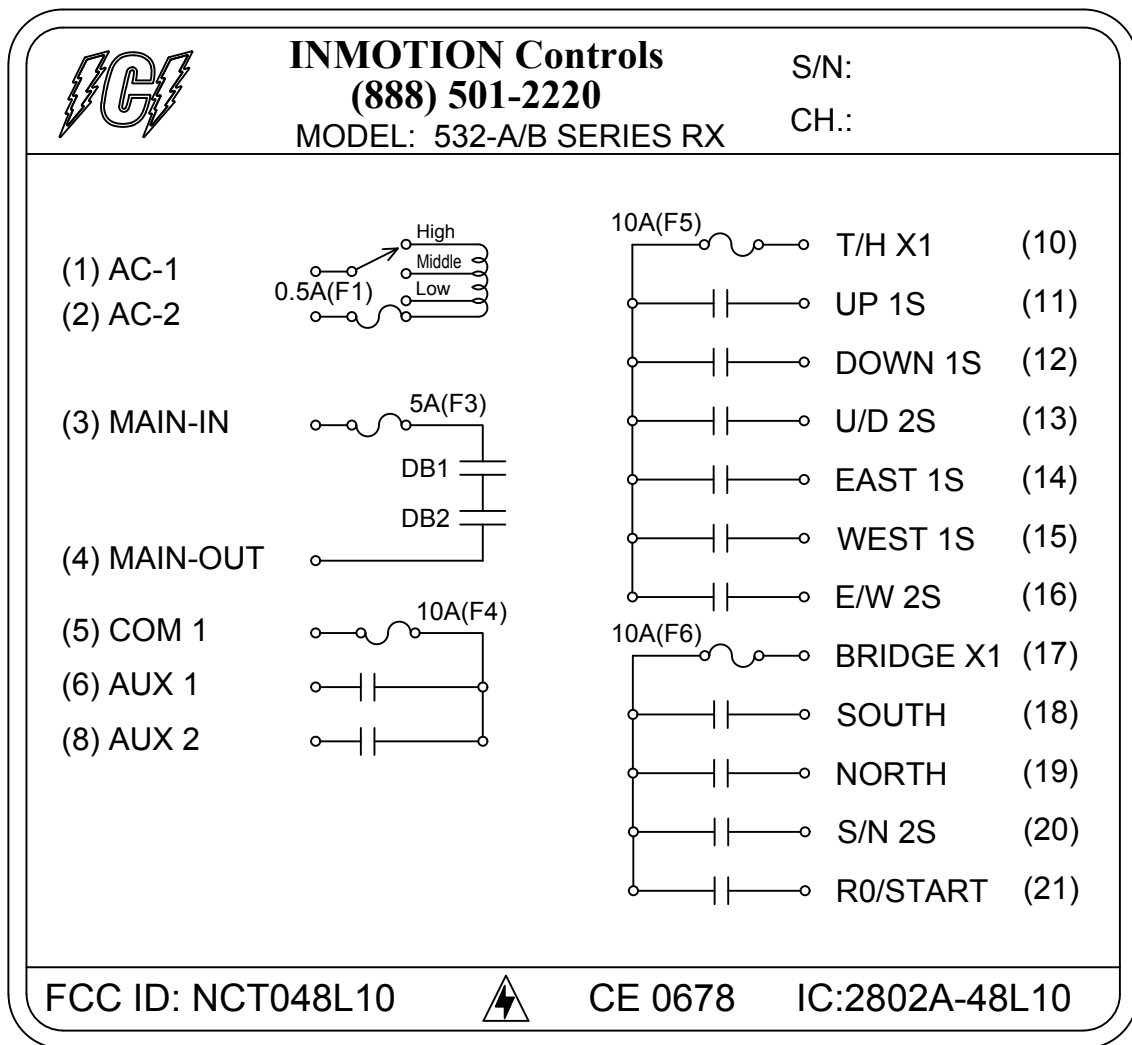


INMOTION 310 1/Both/2 Option

1. System must be programmed for this option.
2. Connect wire # 17 to X1.
3. Connect wire # 18 to relay coil of selector relay #1.
4. Connect wire # 19 to relay coil of selector relay #2.

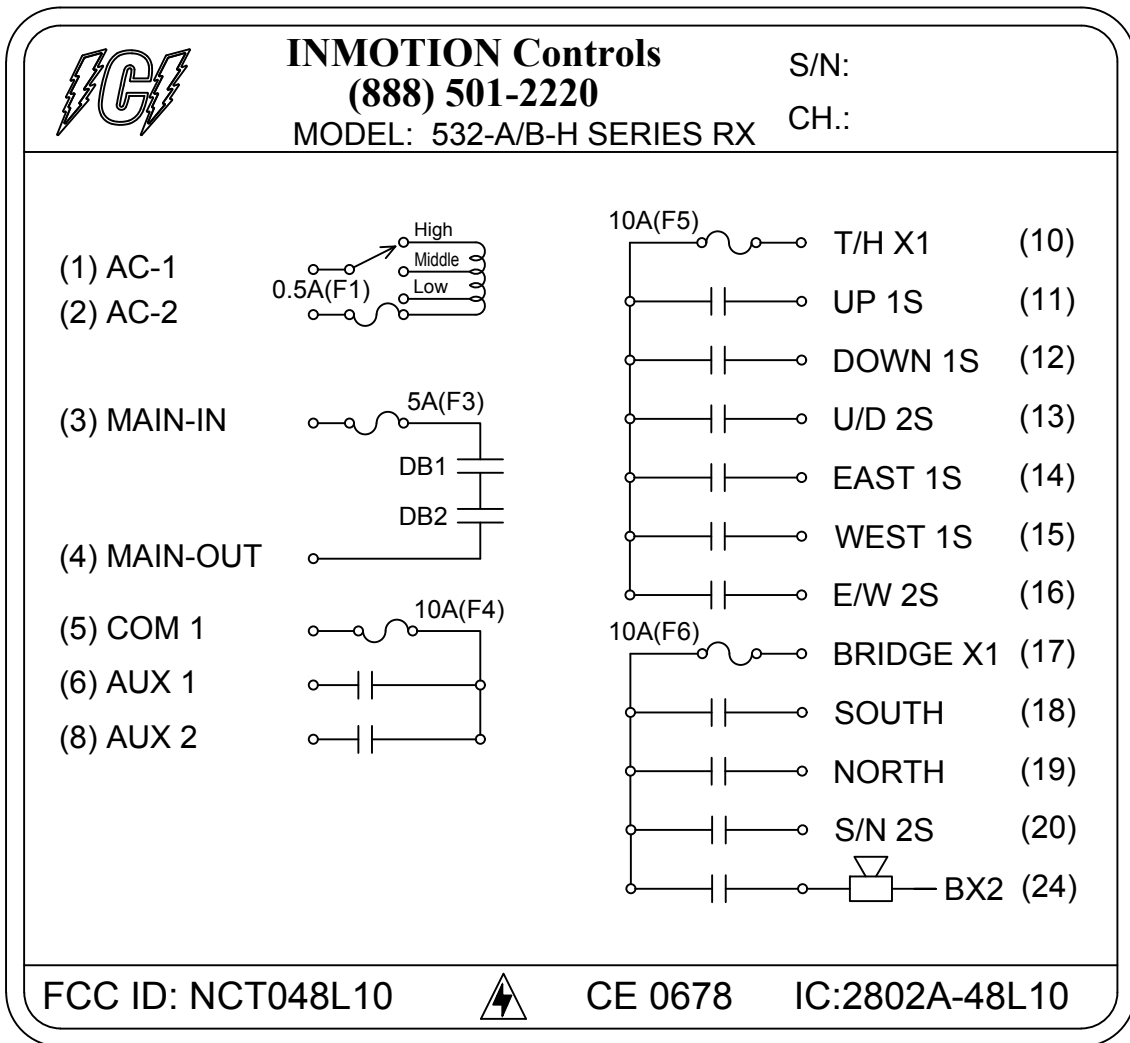
NOTE: INMOTION 310-3C & 310-T/H-C Similar.

WIRE DIAGRAM OF INMOTION SERIES 532-AB:



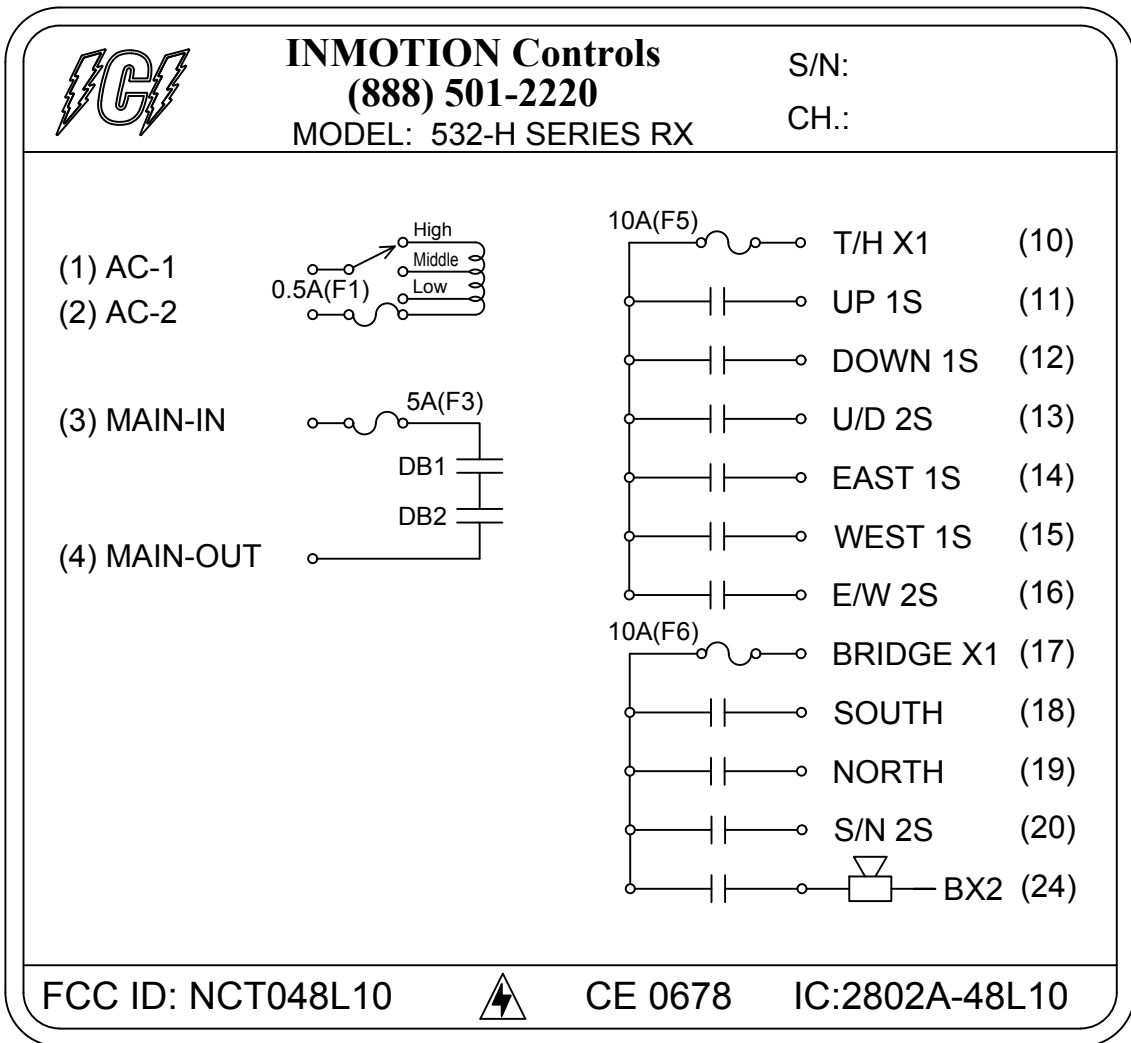
INMOTION-532-AB

WIRE DIAGRAM OF INMOTION SERIES 532-AB-H:



INMOTION-532-AB-H

WIRE DIAGRAM OF INMOTION SERIES 532-H:



INMOTION-532-H