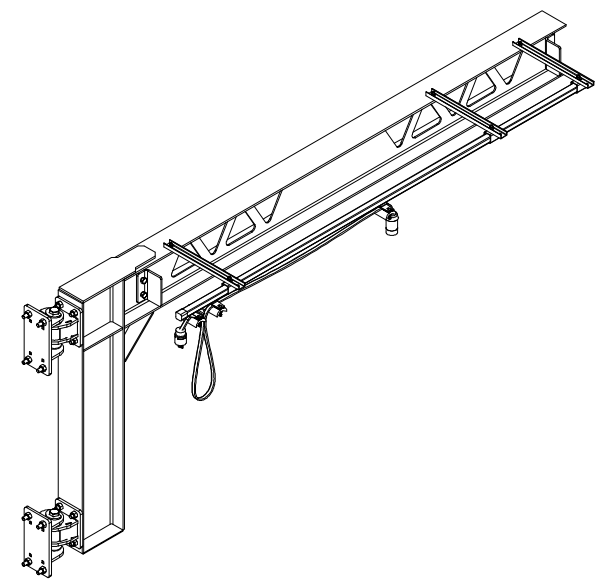
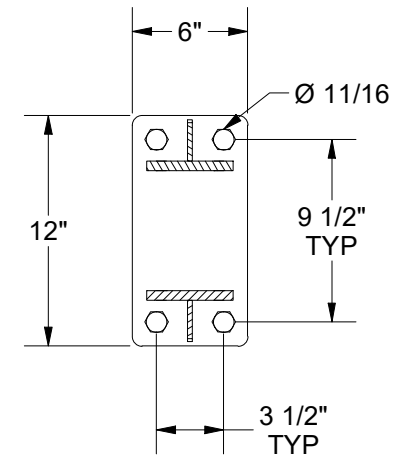
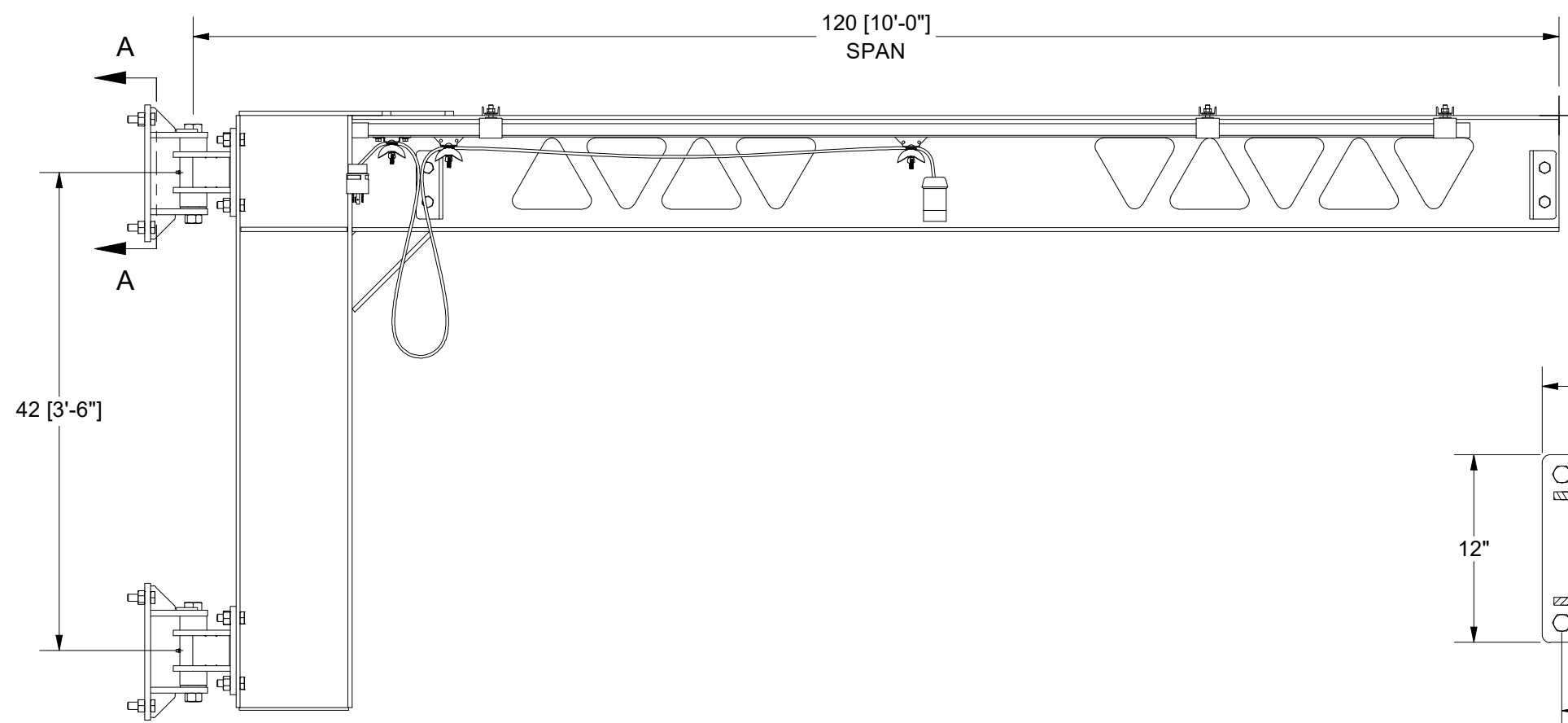
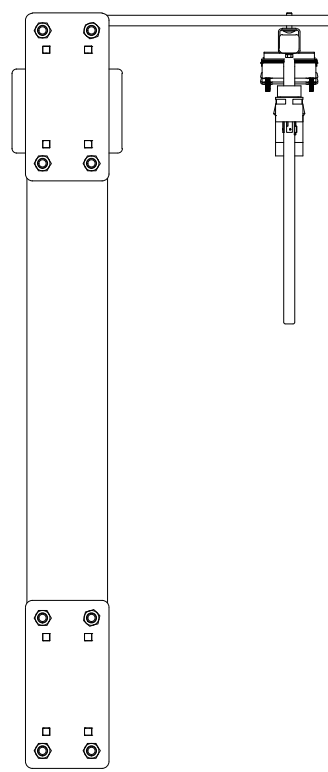
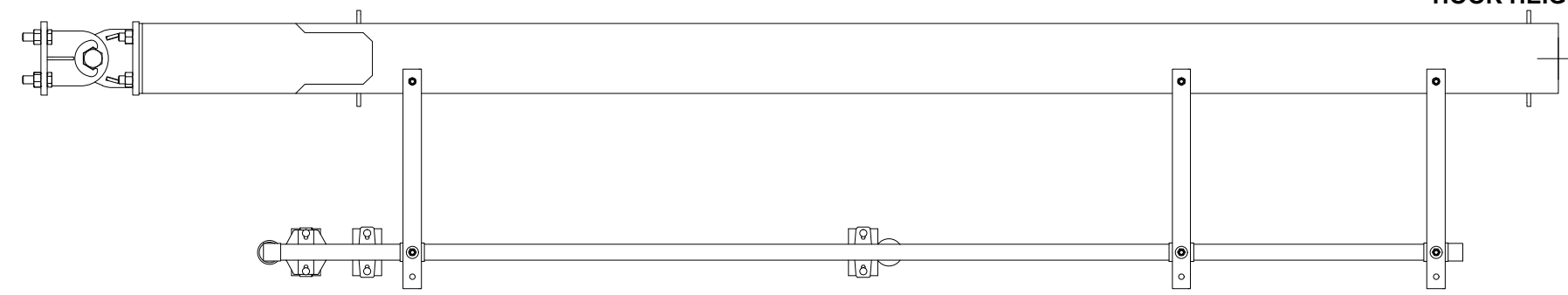


Y:\Automated Drawings\JC #21622\JC #21622 - Customer Approval Drawing.pdf 2024-06-05 10:41



SYSTEM QTY : 1
SYSTEM CAPACITY : 1 Ton
HOIST CAPACITY : 1 Ton
HOIST BRAND : Starke STK
HOIST MODEL NO. : STK1026-20
HOIST TYPE : Electric Chain Hoist
TROLLEY MODEL : Starke SPT100L
VOLTAGE : 480v Three Phase
HOOK HEIGHT : 21.23"



SECTION A-A

NOTE: SHIPS PARTIALLY ASSEMBLED

***QTY: 1**

SUBMITTAL REVIEW
 CUSTOMER IS RESPONSIBLE TO VERIFY ALL DIMENSIONS.
 SIGNED APPROVAL AUTHORIZES PWI TO PROCEED WITH SHOP FABRICATION AND INSTALLATION.

APPROVED
 APPROVED WITH CHANGES NOTED


SIGN ABOVE

DATE

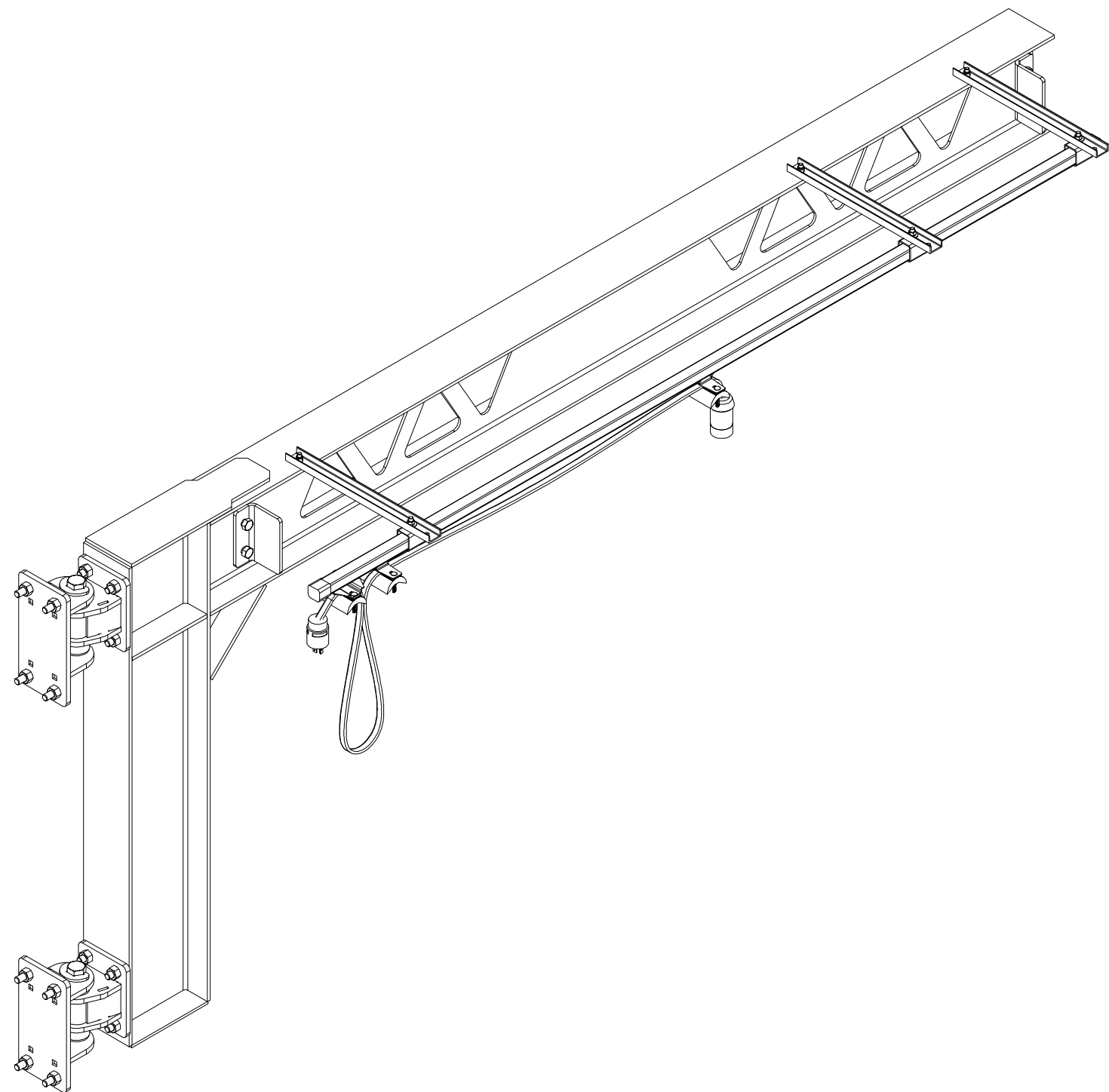
JC #21622 - JCU version 240604.8

JOB:
 HOIST ZONE CUSTOMER
 SAMPLE APPROVAL DRAWING -
 (PWIJ-UL-WMC-200010)
 Quote

DRAWING:
 CANTILEVER JIB CRANE
 JC #21622

PAINT COLOR: PAINT YELLOW		SALESMAN: HOIST ZONE SALESMAN	
TOLERANCES (U.N.O.): DIMENSIONS: ±1/8" ANGLES: ± 0.2°			

Y:\Automated Drawings\JC #21622\JC #21622 - Customer Approval Drawing.pdf 2024-06-05 10:41




SHIPPING LIST							
ITEM	QTY	PART NO.	DESCRIPTION	LENGTH	UNIT WT.	NET WT.	FINISH
1	2	AS1009	JIB HINGE, BOLT-ON		33.89	67.78	BLACK PAINT
2	4	PL1019	6 X 4 END STOP	6 in	2.90	11.62	BLACK PDC
3	1	-	CANTILEVER JIB		301.25	301.25	PAINT YELLOW
4	2		END CAP		0.17	0.33	
5	3	SET-90078	FESTOON BRACKET - 18 IN	18 in	1.75	5.24	BLACK PAINT
6	1	S100-13	FESTOON TRACK		6.21	6.21	
7	2	S100-CFT	FESTOON TROLLEY		1.22	2.44	
8	1	S100-CET	FESTOON TROLLEY, CLAMP STYLE		1.15	1.15	
9	1	NEMA L16-20	NEMA L16-20 FEMALE PLUG		0.60	0.6	
10	1	NEMA L16-20	NEMA L16-20 MALE PLUG		0.35	0.35	
11	3	S100-SH	SINGLE BOLT STANDARD HANGER		0.40	1.2	PURCHASED
12	1	-	4-14 FESTOON CABLE	182 1/4 in	13.00	13	PURCHASED
13	3	-	3/8"-16 HEX BOLT (GR. 5)	1 1/4 in	0.01	0.02	ZINC
14	3	-	3/8"-16 NYLON LOCKING NUT (GR. 8)		0.00	0.01	YELLOW ZINC
15	4	-	5/8"-11 HEX BOLT (GR. 8)	2 1/4 in	0.04	0.15	YELLOW ZINC
16	16	-	5/8"-11 STRUCTURAL BOLT (A325)	2 in	0.04	0.57	BLACK OXIDE
17	16	-	5/8"-11 HEAVY HEX NUT (A563)		0.01	0.23	BLACK OXIDE
18	4	-	5/8"-11 NYLON LOCKING NUT (GR. 8)		0.01	0.05	YELLOW ZINC
						TOTAL WT.#	412.20

*QTY: 1

JC #21622 - JCU version 240604.8

JOB:
**HOIST ZONE CUSTOMER
 SAMPLE APPROVAL DRAWING -
 (PWIJ-UL-WMC-200010)**
 Quote

DRAWING:
**CANTILEVER JIB CRANE
 JC #21622**

PAINT COLOR: PAINT YELLOW		
SALESMAN: HOIST ZONE SALESMAN		
<small>TOLERANCES (U.N.O.): DIMENSIONS: ±1/8" ANGLES: ± 0.2°</small>		